


TOV



Follow us!

Show your new purchase some love by tagging it on our Instagram!

 @tovfurniture

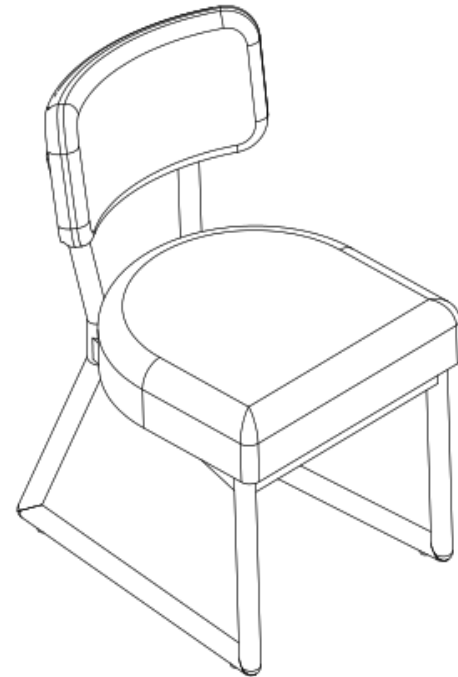
 516-888-3355

 hello@tovfurniture.com

 www.tovfurniture.com

If the future is female —your furniture should be, too. No mahogany in sight. Sexy settees shaped like lips. Price points for any budget. At TOV, we do things differently.

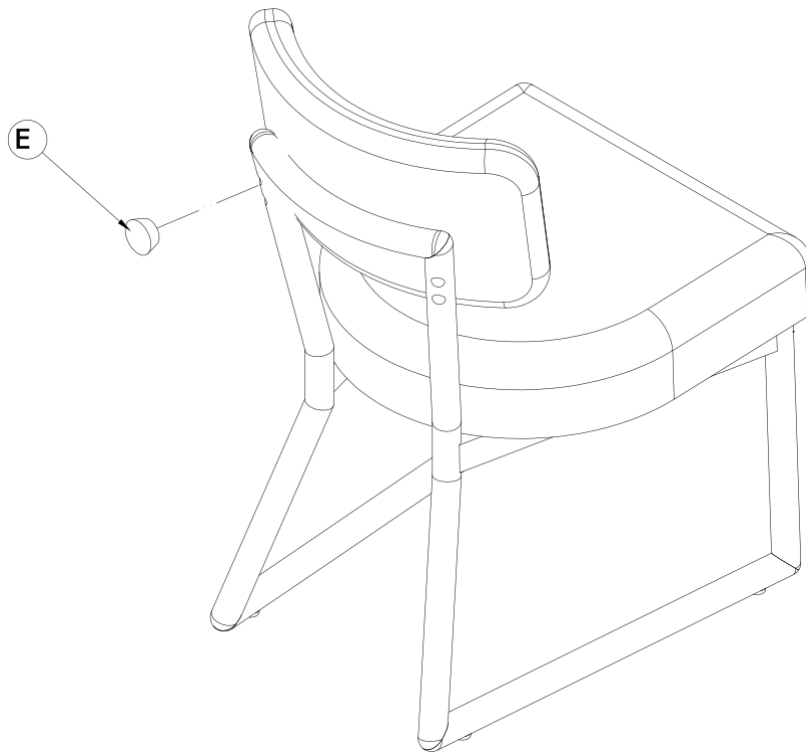
TOV



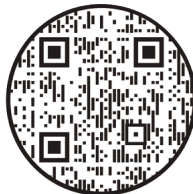
Bobbie Dining Chair

DON'T BE BORING.

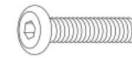
Step 3 Cover the bolts with the included caps (E)



Stuck?
Contact our team @ 516-888-3355
Scan for product care!



Hardware and Components



----- M6x50 ----- (A) x4pcs



----- Ø6x10 ----- (B) x4pcs



----- Ø6x14 ----- (C) x 4pcs



----- 4mm ----- (D) x 1pc

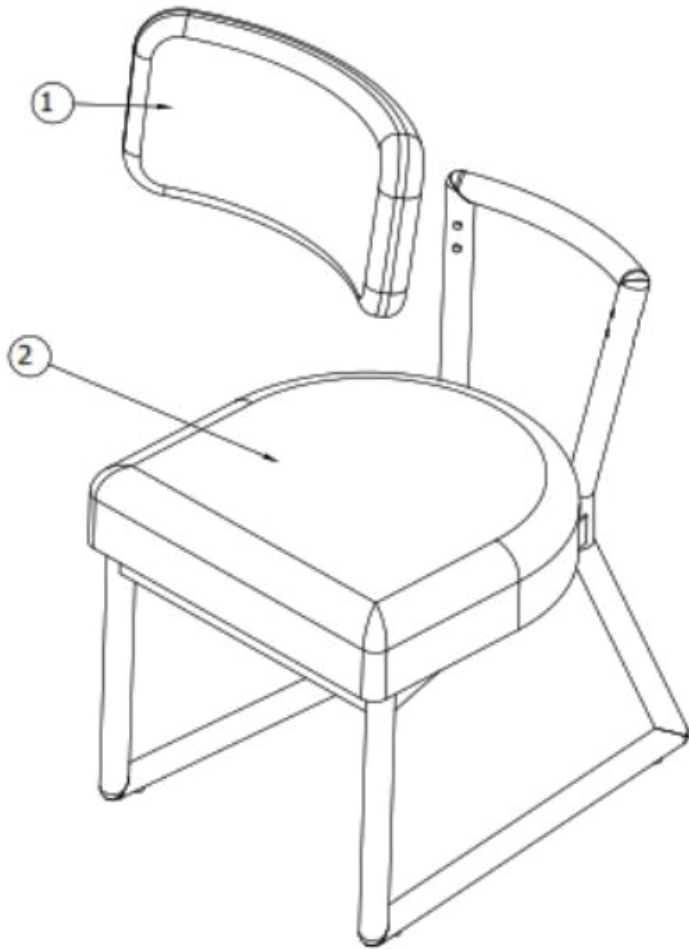


----- Ø18 ----- (E) x 4pcs

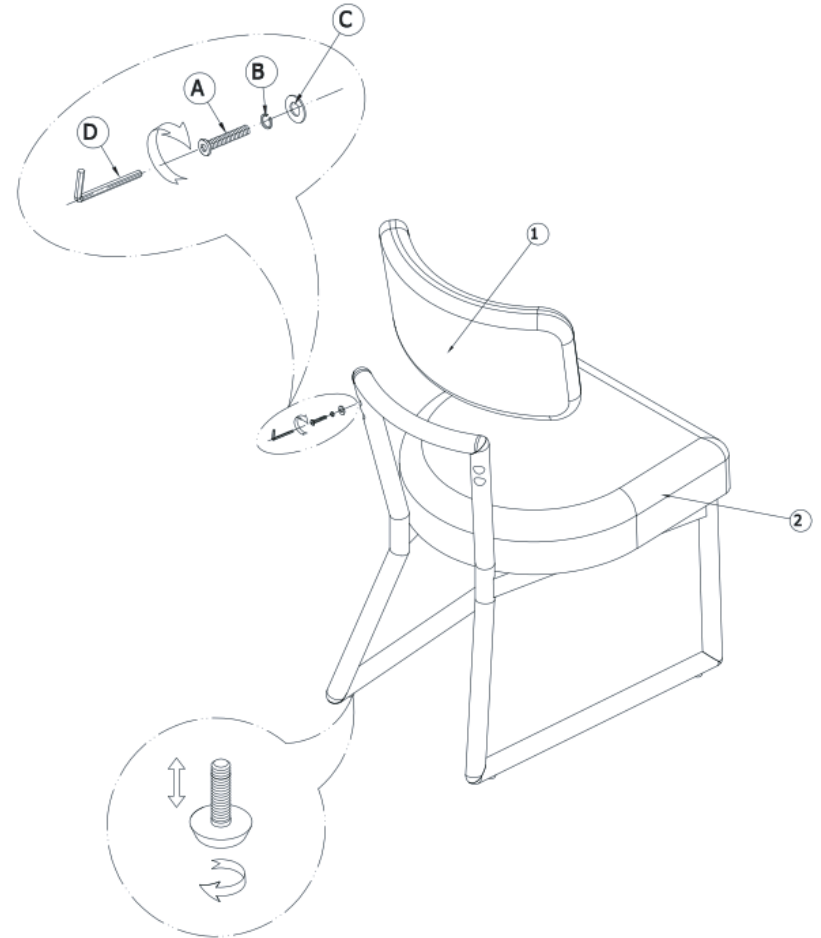
Step 1
Open box of hardware and legs.

This hardware box will be a smaller box inside of the main box. Look for the red streamer.





Step 2 Attach the seat back with the included Allen key (D) and hardware (A), (B) and (C)



Adjust leveler as needed