


# TOV



## Follow us!

Show your new purchase some love by tagging it on our Instagram!

 @tovfurniture

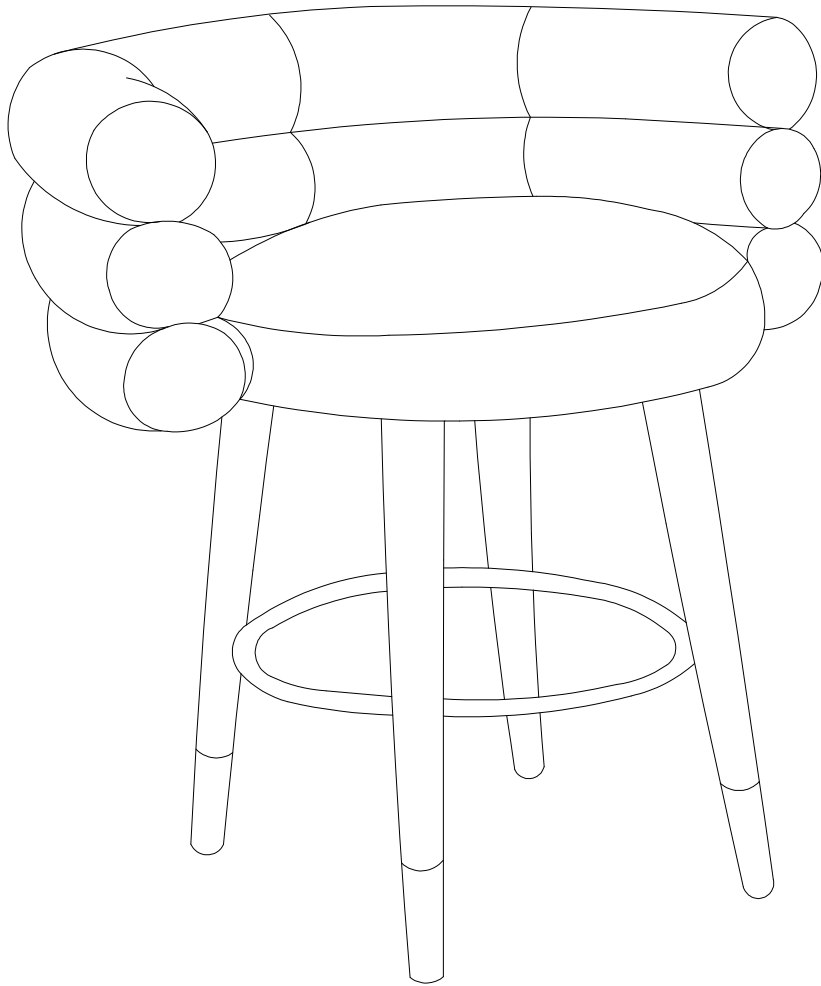
 516-888-3355

 hello@tovfurniture.com

 [www.tovfurniture.com](http://www.tovfurniture.com)

If the future is female—your furniture should be, too. No mahogany in sight. Sexy settees shaped like lips. Price points for any budget. At TOV, we do things differently.






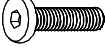
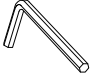
**TOV**



**BETTY STOOL**

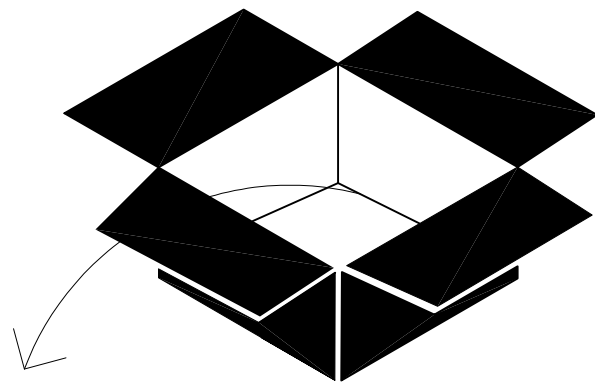
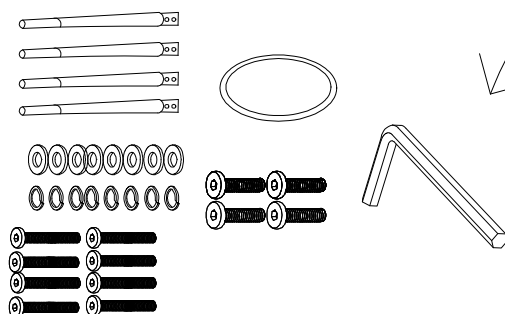
**DON'T BE BORING.**

# Hardware and Components

-  ..... **A** X 4 pcs
-  ..... **B** x 1 pc
-  ..... **C** x 8 pc
-  ..... **D** x 8 pcs
-  ..... **E** x 8 pcs ( 20 x 55mm)
-  ..... **F** x 4 pcs ( 20 x 30mm)
-  ..... **G** x 1 pc Ball-End Allen Wrench-6mm

## STEP 1:

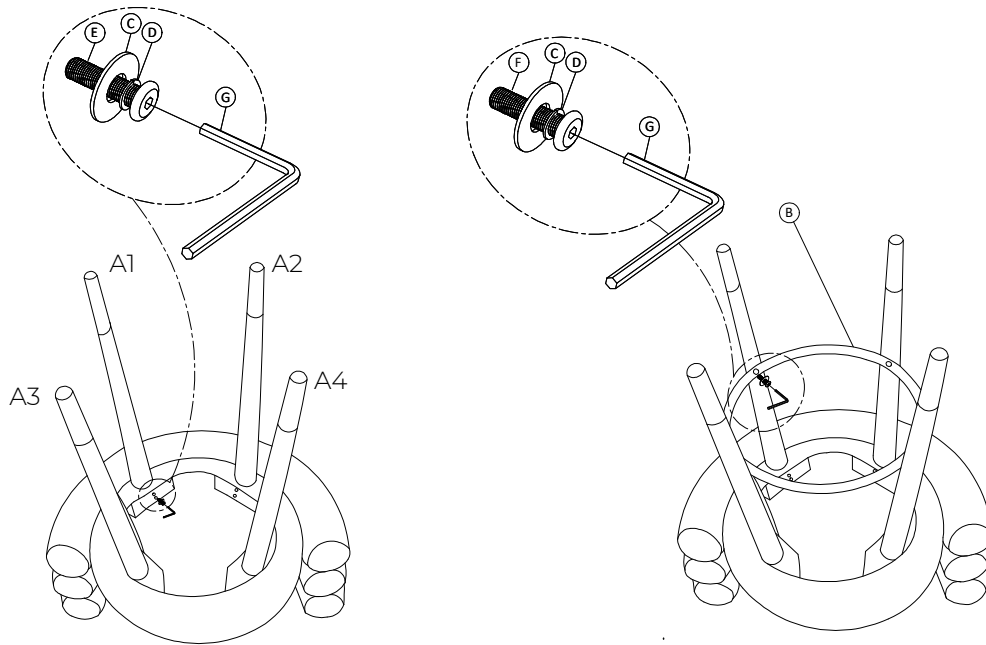
- A.** Open the carton and find hardware and legs.
- B.** The hardware bag will be in a small bag inside of the main box. Look for the red streamer.



## STEP 2:

**A.** Turn the stool over and position 1 leg (A) at the A1 wooden corner. Insert the assembled bolts (E, D, C) into the corner as shown to connect the leg. Use the wrench (G) to partially tighten the bolts (do not fully tighten until the last step). Repeat for the other three legs.

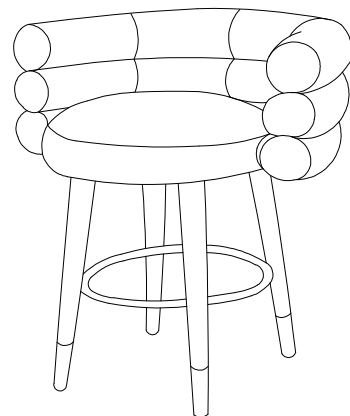
**B.** Insert the bolts (F, D, C) into the four holes as shown to connect the footrest (B). Use the wrench (G) to partially tighten the bolts (do not fully tighten until the last step).



## STEP 3:

**A.** Turn the stool back over. Adjust the angle of the legs until they are even. Then, fully tighten the bolts on the legs. Make sure the legs are still even, then fully tighten the bolts on the footrest.

**B.** Complete!



Stuck?

Contact our team @ 516-888-3355

Scan for product care!

