


# TOV



## Follow us!

Show your new purchase some love by tagging it on our Instagram!

 @tovfurniture

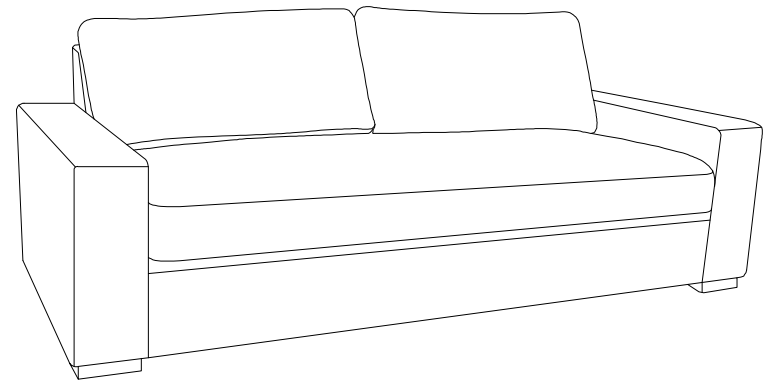
 516-888-3355

 hello@tovfurniture.com

 www.tovfurniture.com

If the future is female—your furniture should be, too. No mahogany in sight. Sexy settees shaped like lips. Price points for any budget. At TOV, we do things differently.







# TOV



## Beckham Sofa

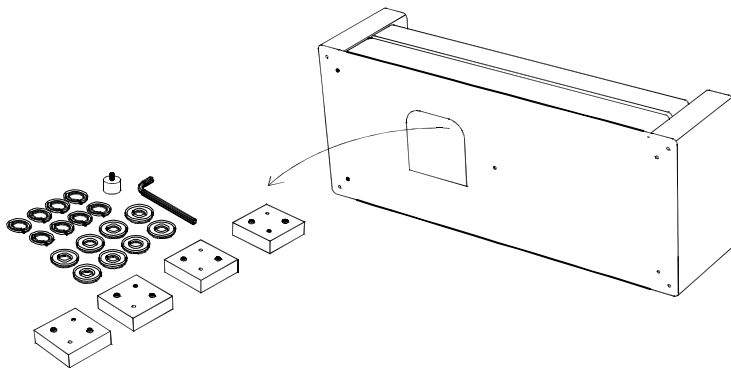
**DON'T BE BORING.**

## Hardware and Components

-  ..... **A** x4pcs Legs
-  ..... **B** x1pc Middle Leg
-  ..... **C** x8pcs Screw
-  ..... **D** x8pcs Lock Washer
-  ..... **E** x8pcs Flat Washer
-  ..... **F** x1pc Allen Wrench

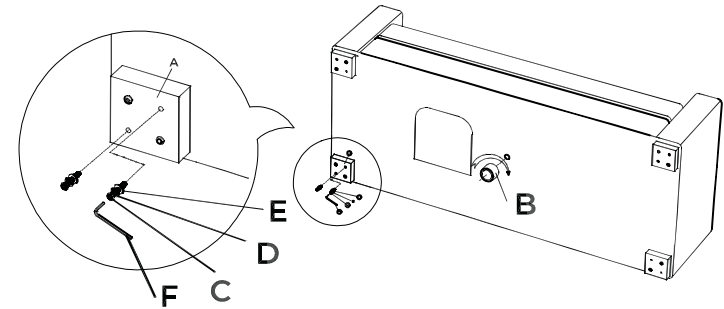
### STEP 1:

- A.** Gently lay the sofa on its back on a plain and non-abrasive surface.
- B.** Look for the red streamer. Unzip the pocket underneath the sofa for pack of hardware and legs.



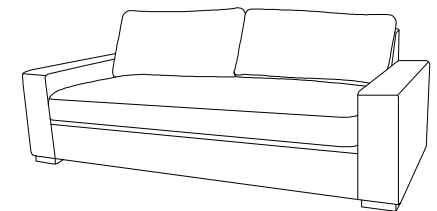
### STEP 2:

- A.** Align the Middle Leg (B) to the hole underneath the sofa with pre-installed threaded nuts. Tighten the leg as illustrated.
- B.** Attach the leg (A) to sofa together with the hardware (C,D,E) and Allen key (F). Screw in until tighten.
- C.** Repeat 4x, for all 4 legs.



### STEP 3:

- A.** Turn the sofa over, so it is standing in the upright position.
- B.** Complete, enjoy your sofa!



Stuck?

Contact our team @ 516-888-3355

Scan for product care!

