


TOV



Follow us!

Show your new purchase some love by tagging it on our Instagram!

 @tovfurniture

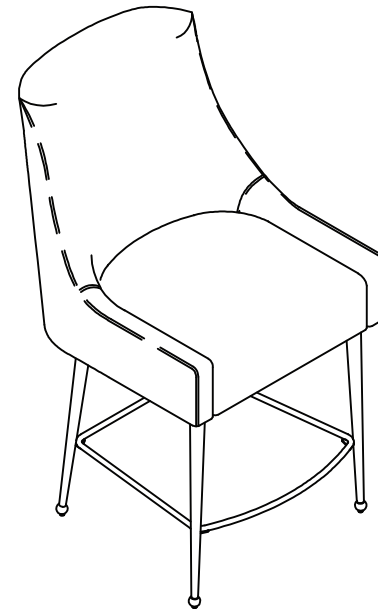
 516-888-3355

 hello@tovfurniture.com

 www.tovfurniture.com

If the future is female—your furniture should be, too. No mahogany in sight. Sexy settees shaped like lips. Price points for any budget. At TOV, we do things differently.


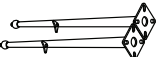




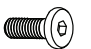
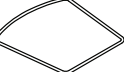

TOV



Beatrix Stool

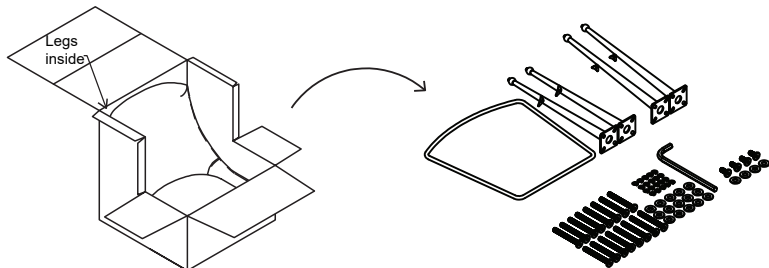
DON'T BE BORING.

Hardware and Components

-  **A** x 2pcs Back leg
-  **B** x 2pcs Front leg
-  **C** x 1pc Chair Body
-  **D** x 16pcs Flat Washer
-  **E** x 16pcs Screw (30mm x 6mm)
-  **F** x 16pcs Lock Washer
-  **G** x 4pcs Screw (10mm x 6mm)
-  **H** x 1pc Foot Rest
-  **I** x 1pc Allen Wrench

STEP 1:

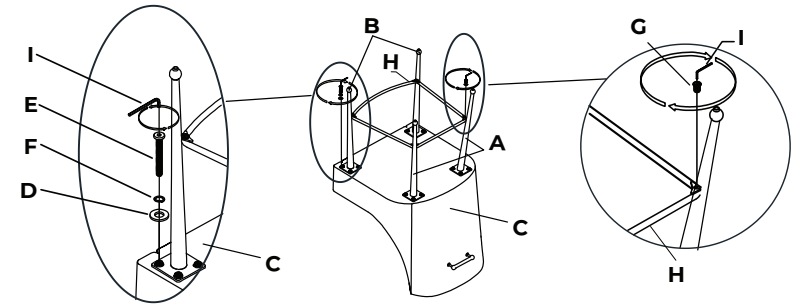
A. Please open the carton box and remove the components and hardware bag inside. Unpack the Legs as well as the hardware pack.



STEP 2:

A. Use screws (E) together with flat washers (D), lock washers (F) and allen wrench (I) to attach the front and back legs (B & A) to the hole underneath the chair with pre-installed threaded nuts. Do not fully tighten them until the last step.

B. Place the footrest (H). Insert the screws (G) into the holes to connect the foot rest. Use allen wrench (I) to tighten the screws (G) clockwise, but not fully tighten.

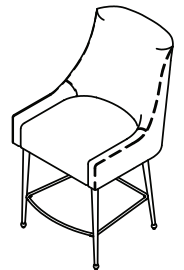


STEP 3:

A. Turn over the stool and adjust the angle of the legs until they are even.

B. Fully tighten the shorter screws (G) and longer screws (E).

C. Complete, enjoy your stool!



Stuck?

Contact our team @ 516-888-3355

Scan for product care!

