


# TOV



## Follow us!

Show your new purchase some love by tagging it on our Instagram!

 @tovfurniture

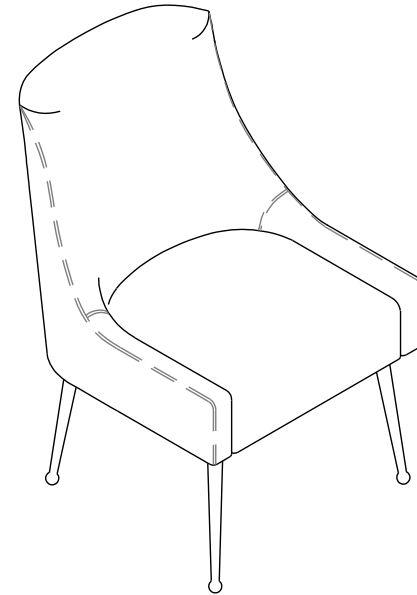
 516-888-3355

 hello@tovfurniture.com

 www.tovfurniture.com

If the future is female—your furniture should be, too. No mahogany in sight. Sexy settees shaped like lips. Price points for any budget. At TOV, we do things differently.

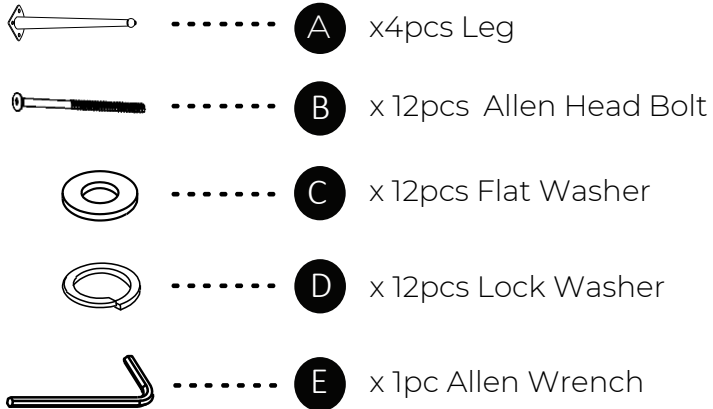
# TOV



## Beatrix Side Chair

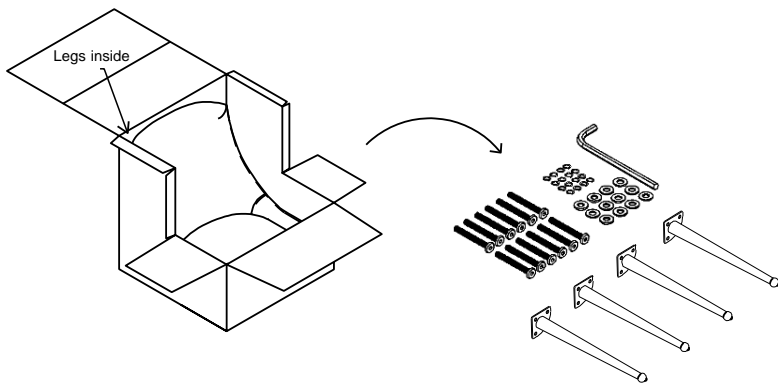
**DON'T BE BORING.**

## Hardware and Components



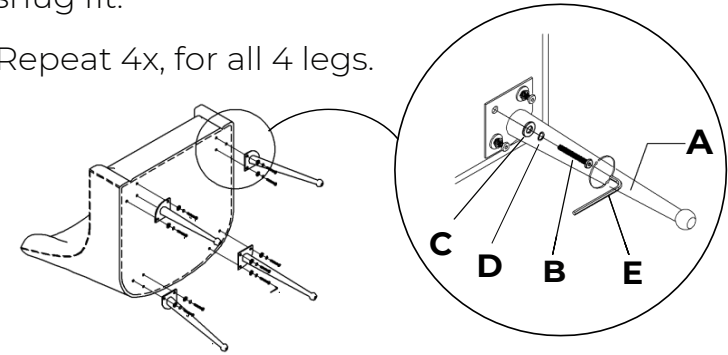
### Step 1

- A.** Please open the carton box and remove the components and hardware bag inside.
- B.** Unpack the Legs as well as the hardware pack.



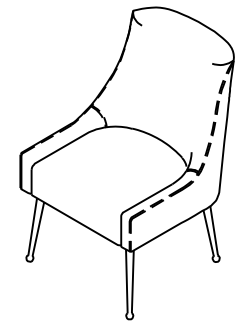
### Step 2

- A.** Align the leg (A) to the hole underneath the chair with pre-installed threaded nuts.
- B.** Attach the leg (A) to chair using bolt (B) together with flat washer (C), lock washer (D) and allen wrench (E). Tighten the bolts to a snug fit.
- C.** Repeat 4x, for all 4 legs.



### Step 3

- A.** Turn the chair over, so it is standing up right position.
- B.** Complete, enjoy your chair!



Stuck?

Contact our team @ 516-888-3355

Scan for product care!

