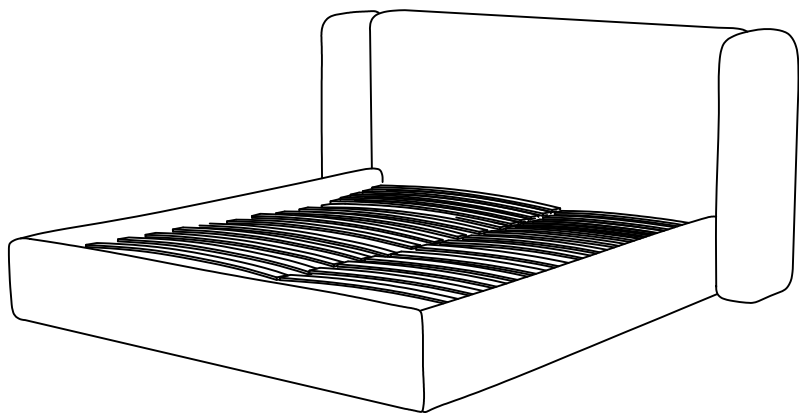


**TOV**



# **Babette Bed**

**DON'T BE BORING.**

# Hardware and Components



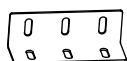
----- **A** x1pc



----- **B** x2pcs



----- **C** x1pc



----- **D** x4pcs



----- **E** x1pc



----- **F** x3pcs



----- **G** x2pcs



----- **H** x24pcs



----- **I** x24pcs



----- **J** x24pcs (30mm x 8mm)



----- **K** x1pc (Allen Key-6mm)



----- **L** x1pc



----- **M** x3pcs (50mm x 8mm)



----- **N** x12pcs (30mm x 8mm)

## STEP 1

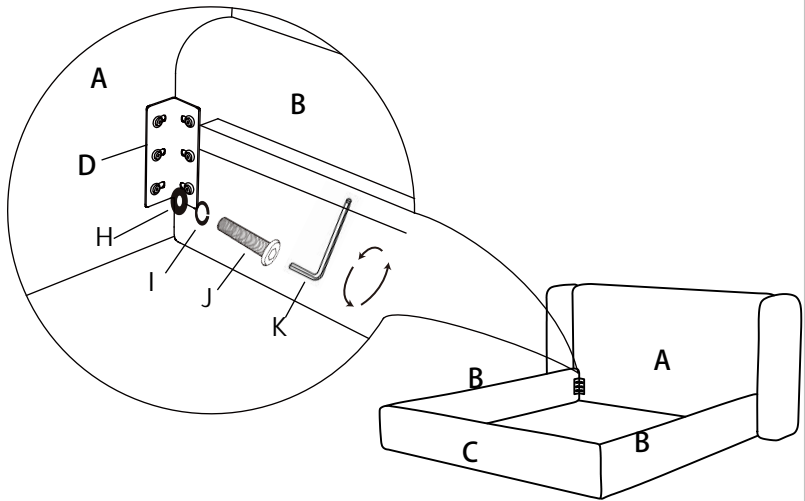
Open box of hardware and legs.

This hardware box will be a smaller box inside of the main box. Look for the red streamer.



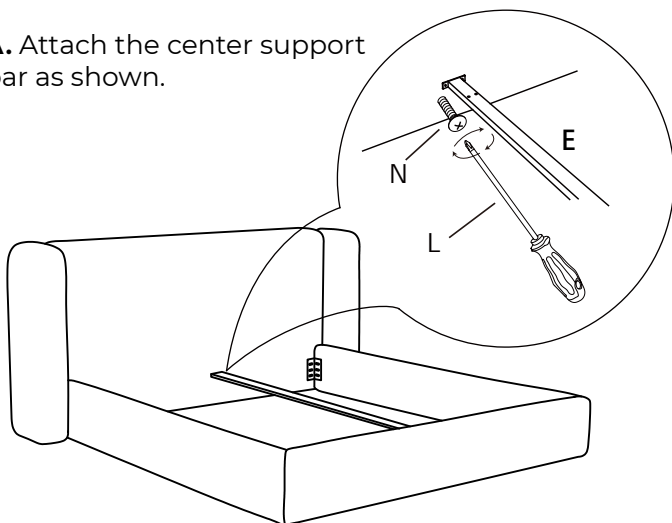
## STEP 2

**A.** Using the included hardware, assemble the bed frame as shown.



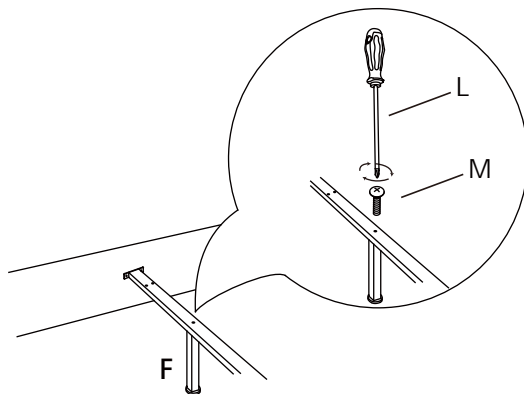
### STEP 3

**A.** Attach the center support bar as shown.



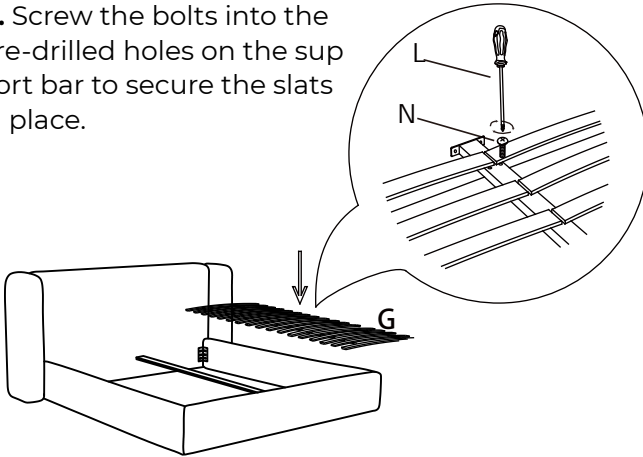
### STEP 4

**A.** Attach the middle legs as shown.



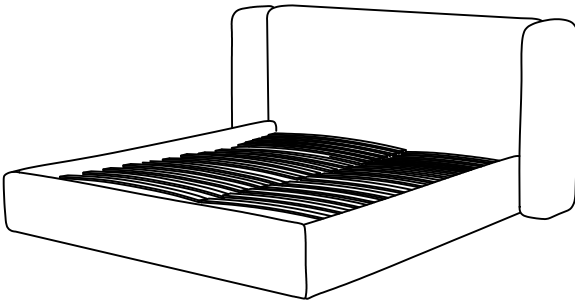
**STEP 5**

**A.** Screw the bolts into the pre-drilled holes on the support bar to secure the slats in place.



**STEP 6**

**A.** Complete!



Stuck?

Contact our team @ 516-888-3355

Scan for product care!




# TOV



## Follow us!

Show your new purchase some love by tagging it on our Instagram!

 @tovfurniture

 516-888-3355

 hello@tovfurniture.com

 www.tovfurniture.com

If the future is female—your furniture should be, too. No mahogany in sight. Sexy settees shaped like lips. Price points for any budget. At TOV, we do things differently.