


TOV



Follow us!

Show your new purchase some love by tagging it on our Instagram !

 @tovfurniture

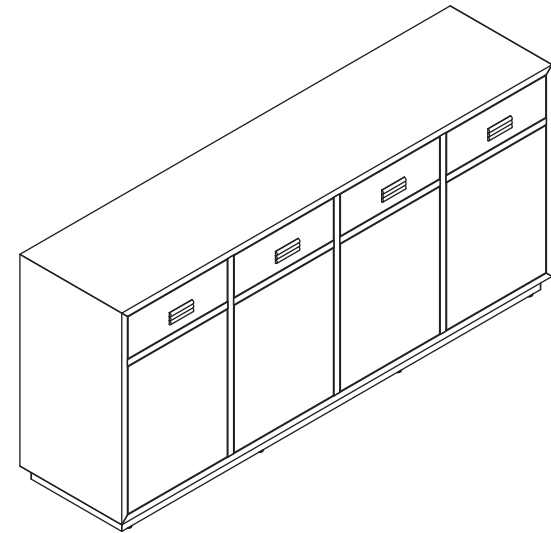
 516-888-3355

 hello@tovfurniture.com

 www.tovfurniture.com

If the future is female—your furniture should be, too. No mahogany in sight. Sexy settees shaped like lips. Price points for any budget. At TOV, we do things differently.

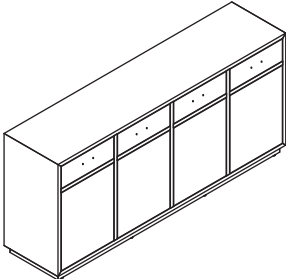
TOV



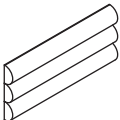
Aria Buffet

DON'T BE BORING.

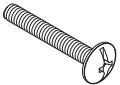
Hardware and Components



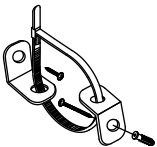
A x1pc



B x4pc

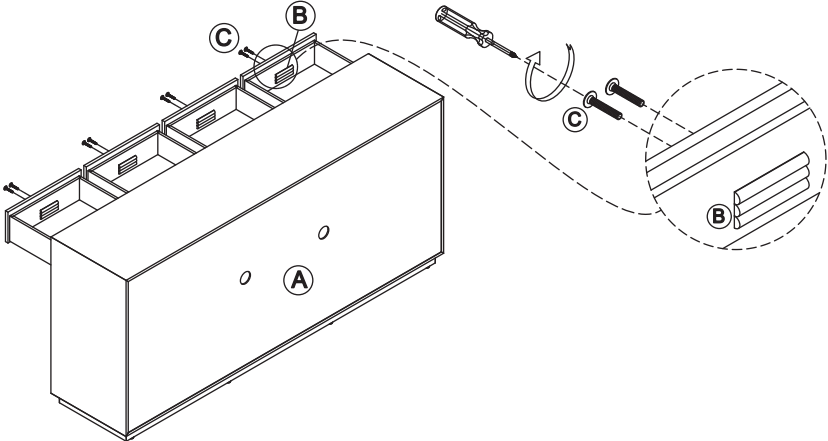


C x 8pcs

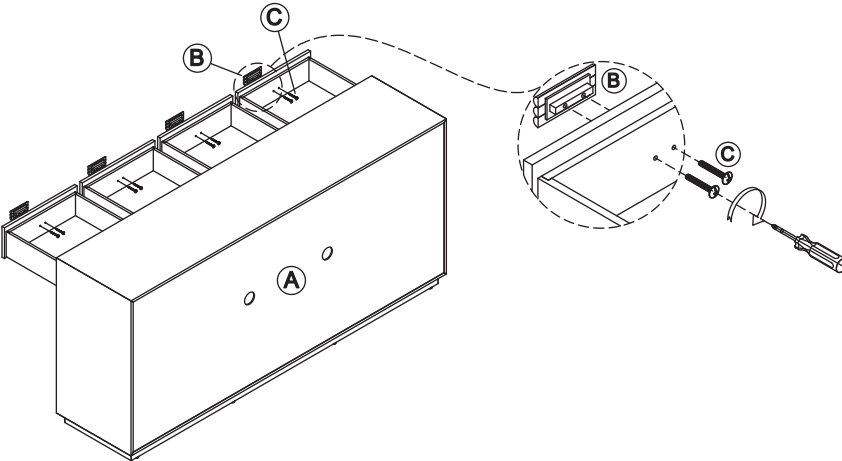


D x 2pc

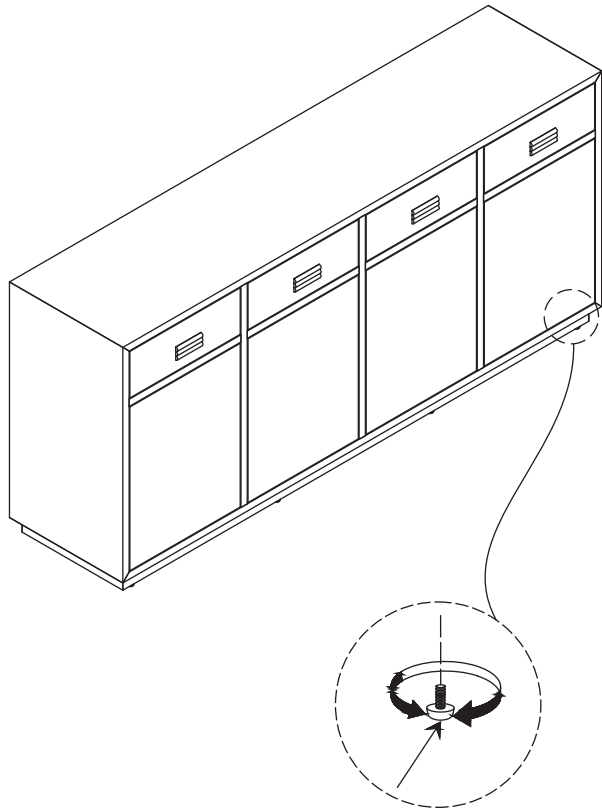
Step 1: Open the drawers and remove the handles that have been preinstalled to the inside of the drawers.



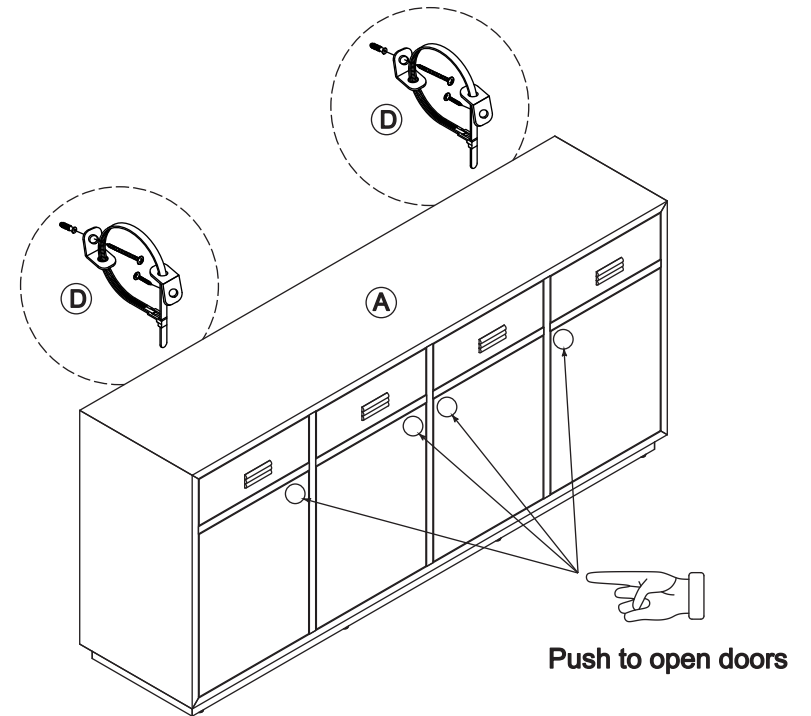
Step 2: Install the handles (B) to the outside of the drawers as illustrated.



Step 3: Adjust the levelers as necessary to ensure the buffet is level.



Step 4: Install the Anti Tip Kit (D) to the back of the buffet, and attach it securely to the wall.



Stuck?
Contact our team @ 516-888-3355
Scan for product care!

