


TOV



Follow us!

Show your new purchase some love by tagging it on our Instagram!

 @tovfurniture

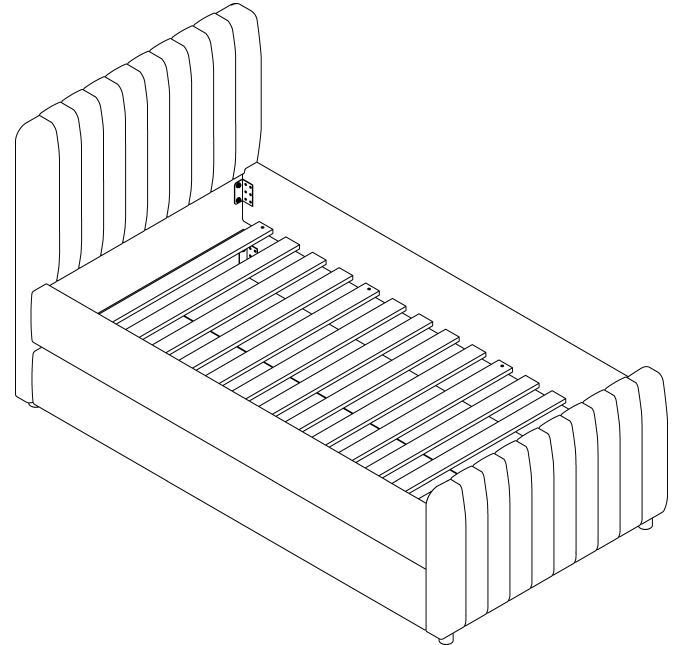
 516-888-3355

 hello@tovfurniture.com

 www.tovfurniture.com

If the future is female—your furniture should be, too. No mahogany in sight. Sexy settees shaped like lips. Price points for any budget. At TOV, we do things differently.

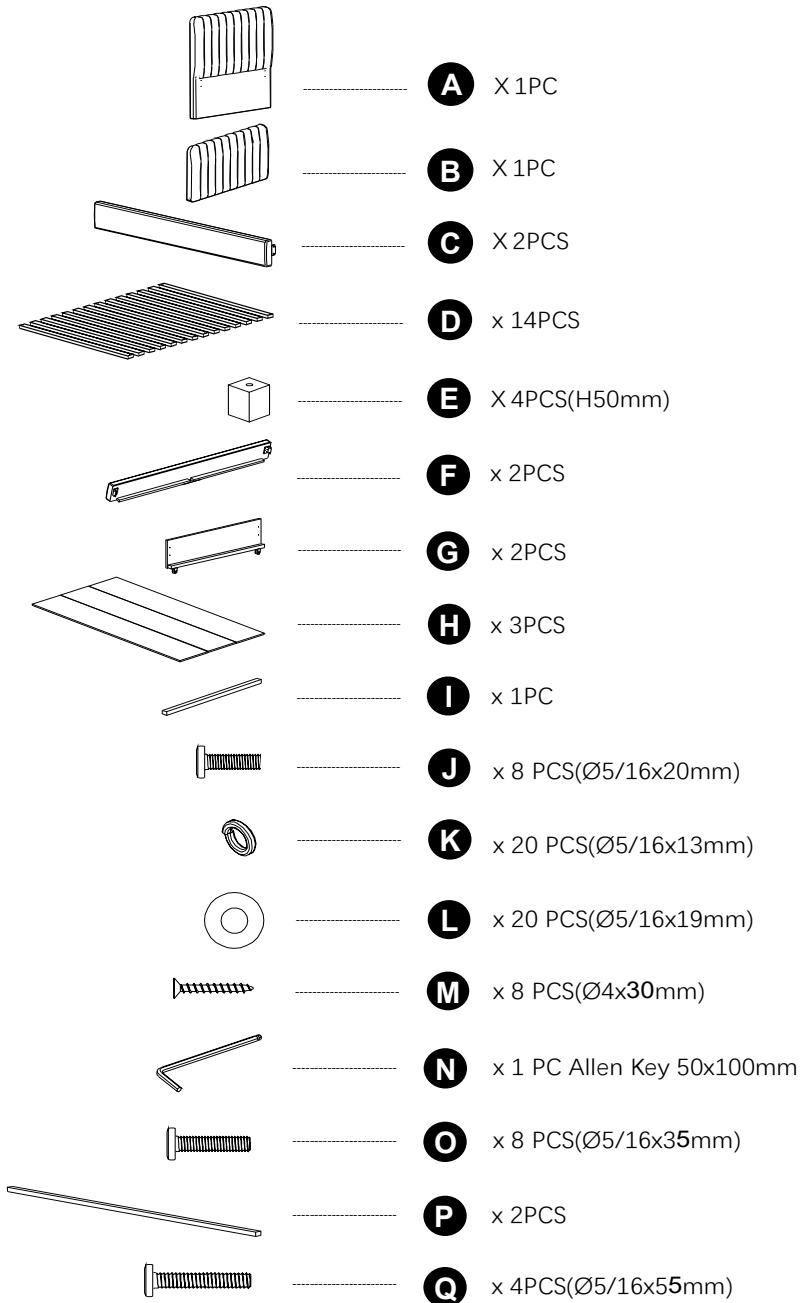
TOV



Angela Trundle

DON'T BE BORING.

Hardware and Components



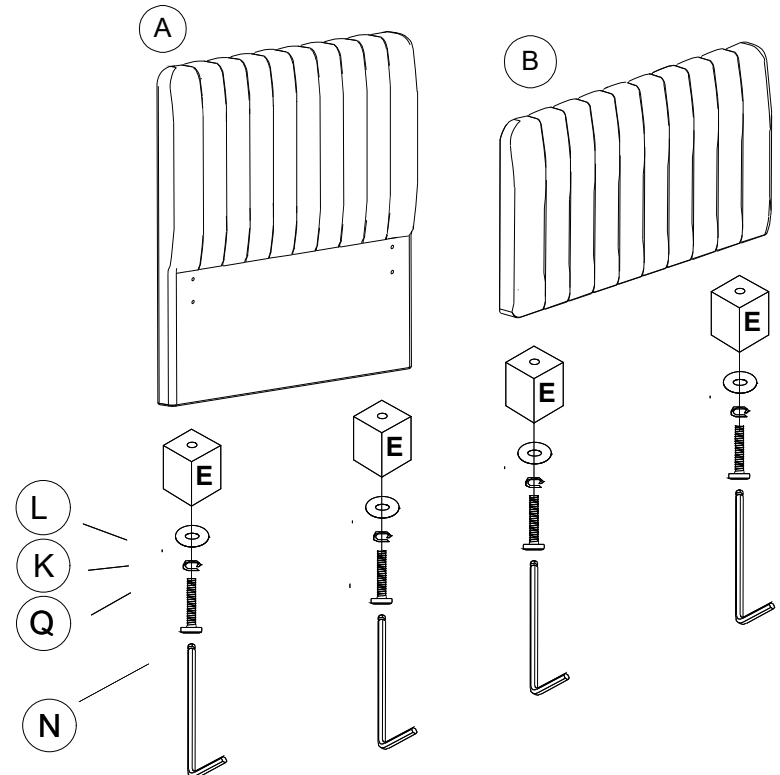
Step 1

Open box of hardware. This hardware box will be a smaller box inside of the main box. Look for the red streamer.



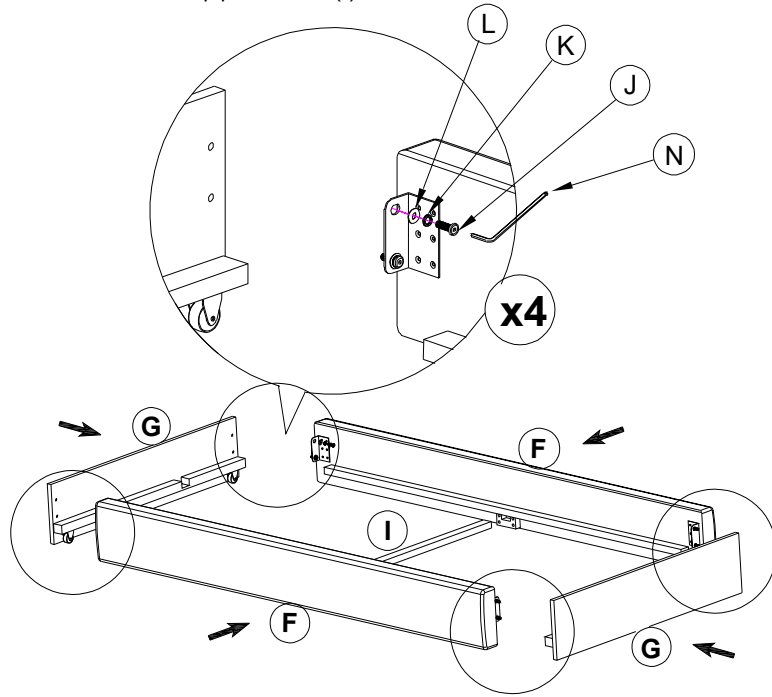
Step 2

- A. Attach Legs (E) to the Headboard (A) and the Footboard (B) using Bolt (Q), Spring Washer (K), and Flat Washer (L).
- B. Tighten bolts using included Allen Key (N).



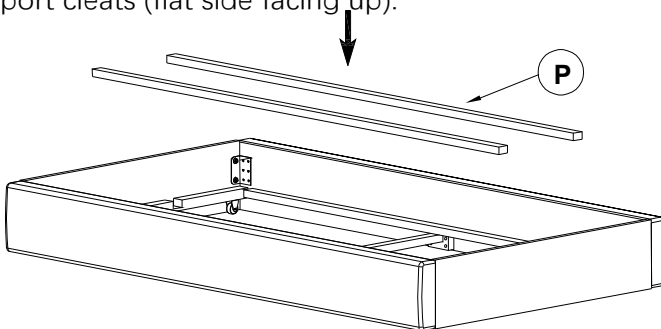
Step 3

- A. Connect the Trundle Siderails (F) to the Trundle Side Frames (G) using Bolt (J), Spring Washer (K), and Flat Washer (L). On all 4 corners, fully tighten bolts using included Allen Key (N).
- B. Place the Support Bar (I) onto the Trundle Siderails.

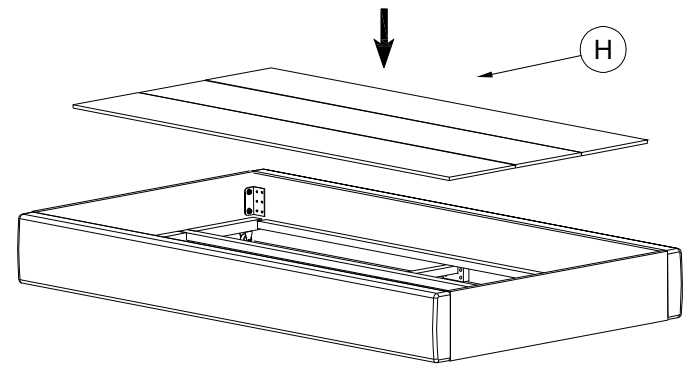


Step 4

- A. Attach Wooden Support Rails (P) to full length side support cleats (flat side facing up).

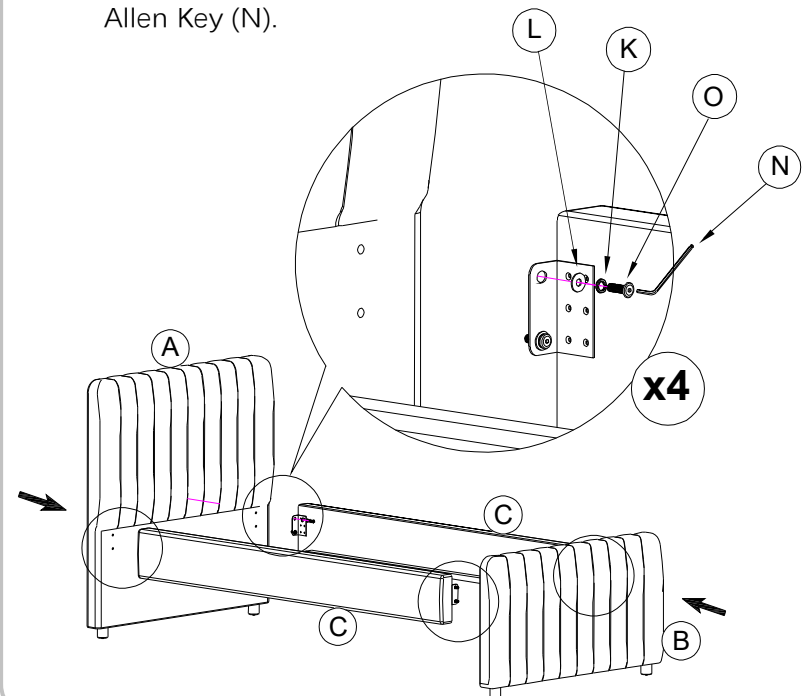


- B. Lay the Bottom Panels (H) flat onto the Trundle Frame.



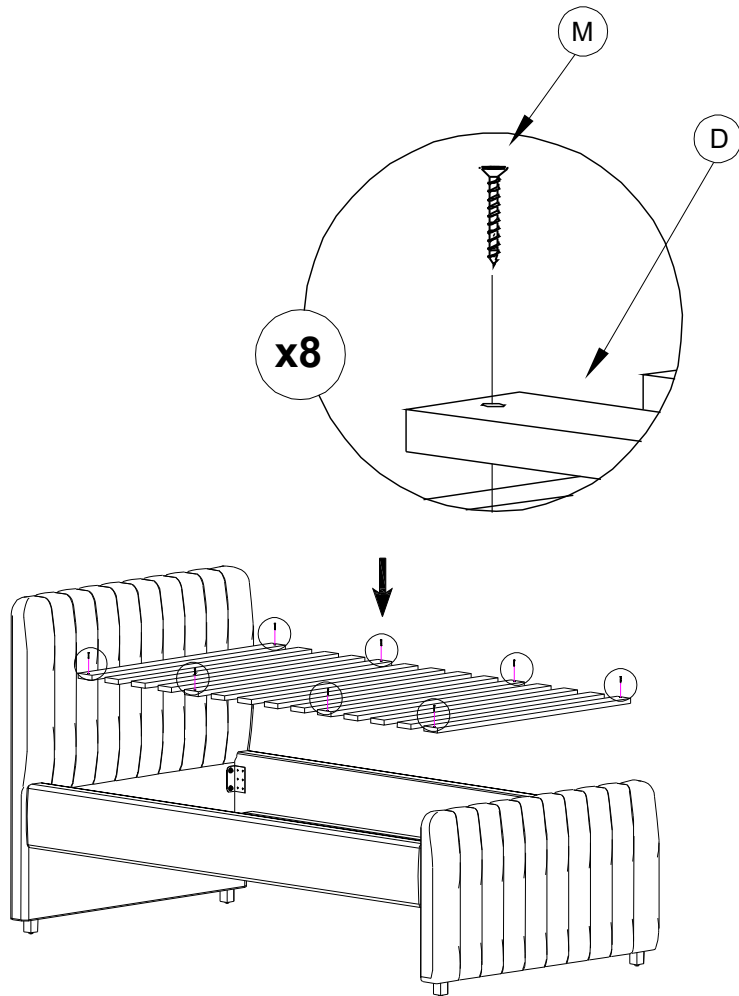
Step 5

- A. Connect the Siderails (C) to the Headboard (A) and the Footboard (B) using Bolt (O), Spring Washer (K), and Flat Washer (L).
- B. On all 4 corners, fully tighten bolts using included Allen Key (N).



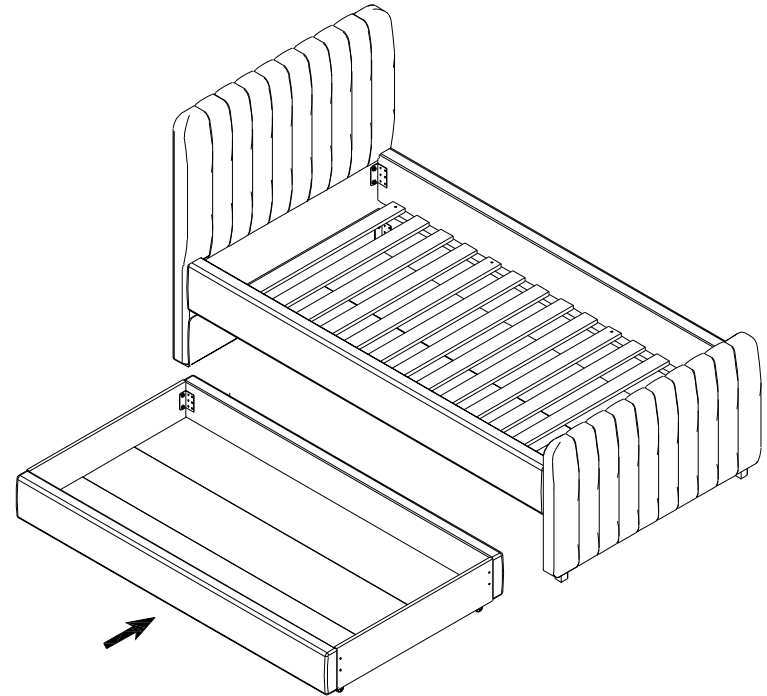
Step 6

- A. Unroll the Slat Roll (D) and place it onto the bed frame. Ensure the slats are straight and tight.
- B. Secure the slats using Pointed Screws (M) at the front, middle, and rear positions on both sides.



Step 7

- A. Insert/roll the trundle under the bed.



- B. Your bed is complete, place mattress on slat roll and enjoy your new bed!

Stuck?
Contact our team @ 516-888-3355

Scan for product care!

