


TOV



Follow us!

Show your new purchase some love by tagging it on our Instagram!

 @tovfurniture

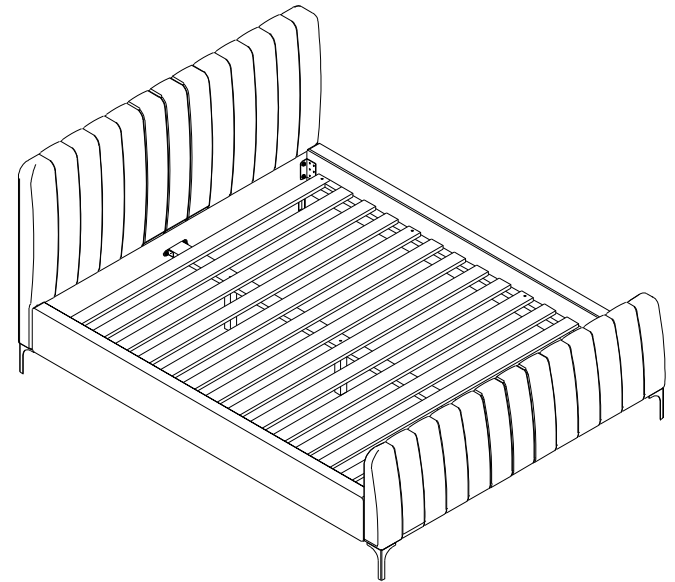
 516-888-3355

 hello@tovfurniture.com

 www.tovfurniture.com

If the future is female—your furniture should be, too. No mahogany in sight. Sexy settees shaped like lips. Price points for any budget. At TOV, we do things differently.

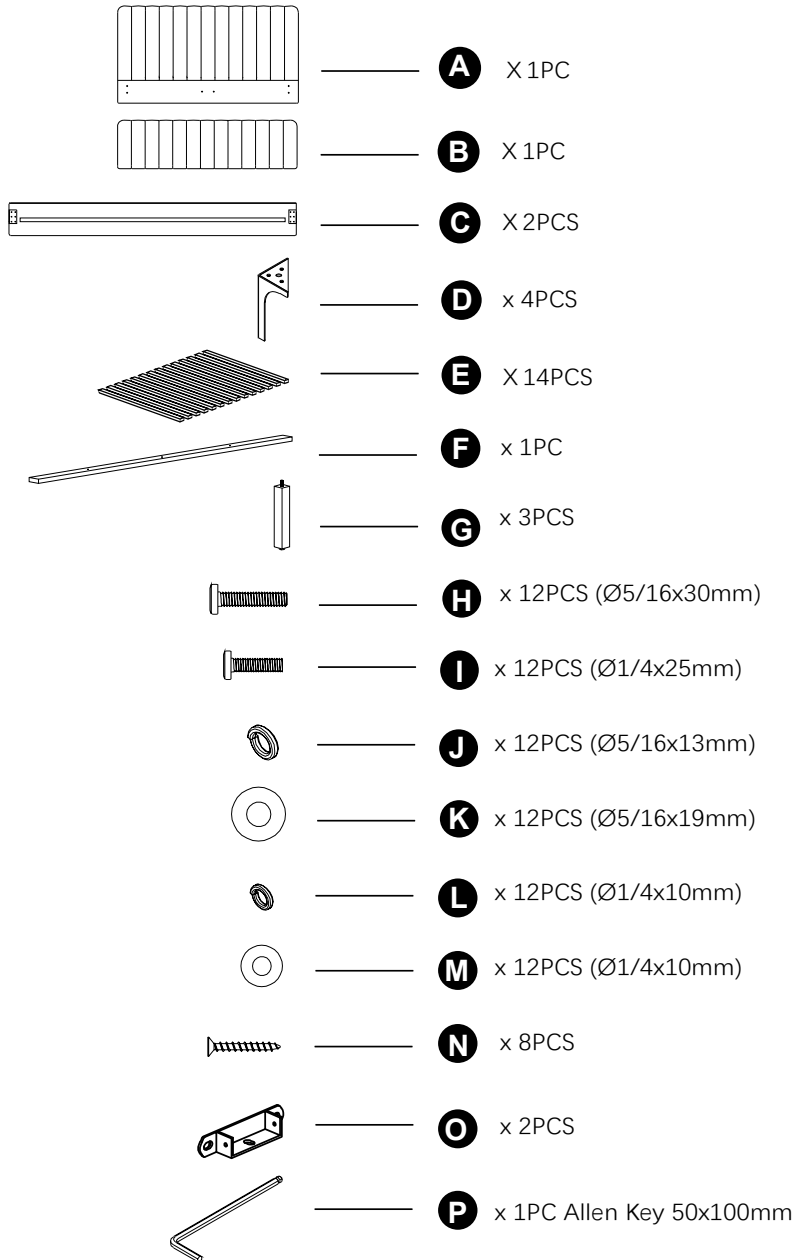
TOV



Angela Full Bed

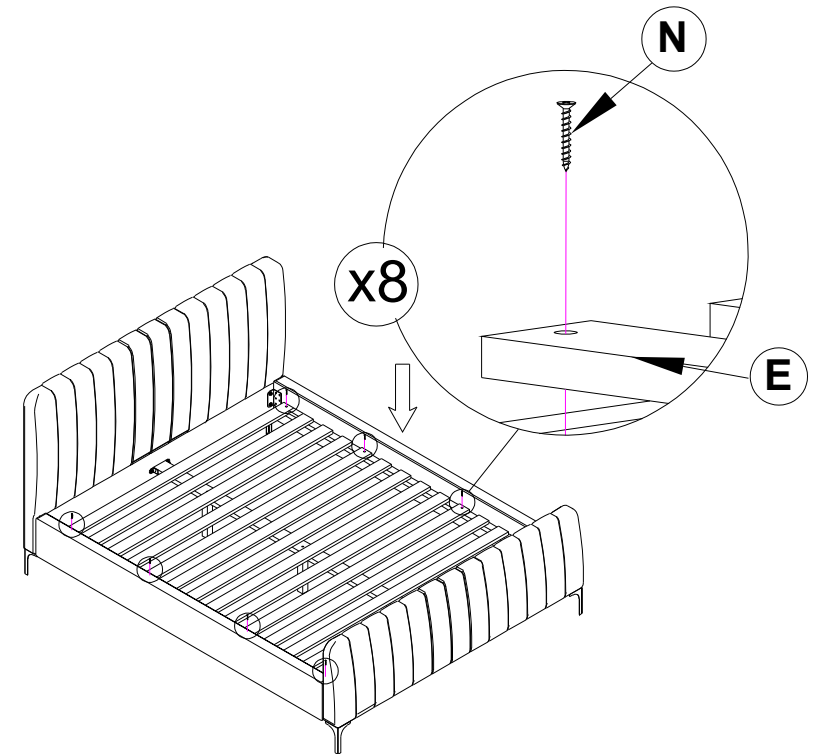
DON'T BE BORING.

Hardware and Components



Step 6

- A. Unroll the Slat Roll (E) and place it onto the bed frame. Ensure the slats are straight and tight.
- B. Secure the slats using Pointed Screw (N) at the head, middle, and foot positions on both sides.



C. Your bed is complete, place mattress on slat roll and enjoy your new bed!

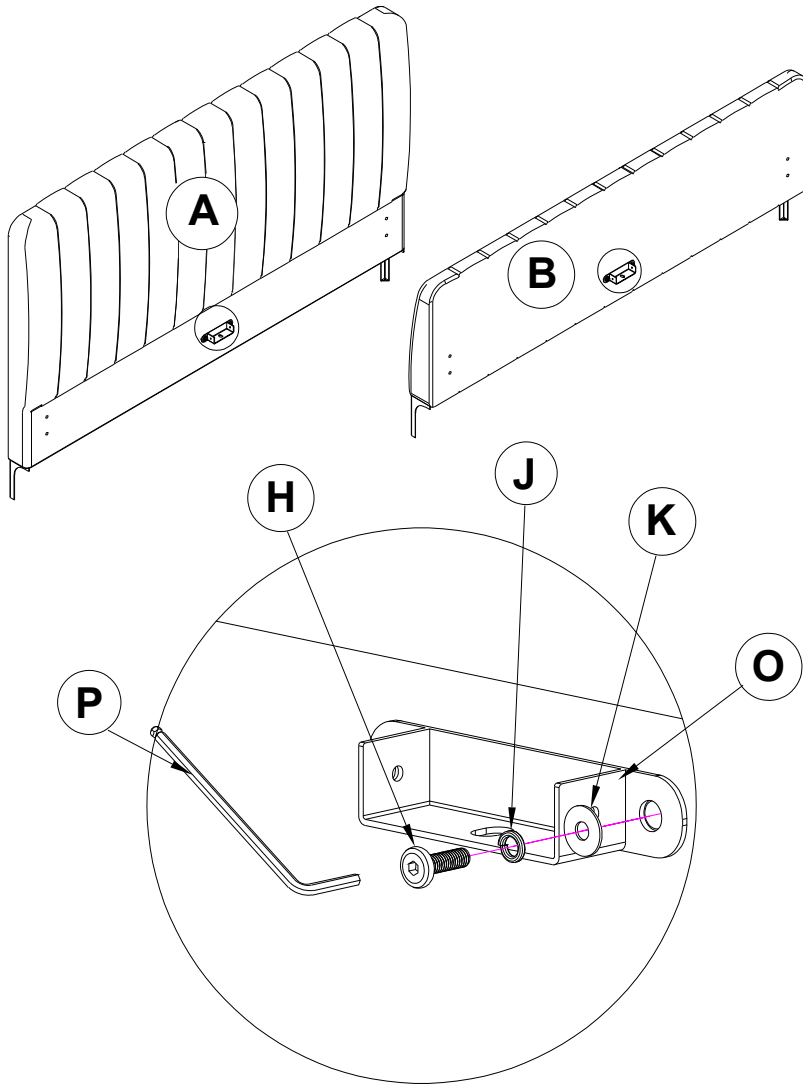
Stuck?
Contact our team @ 516-888-3355

Scan for product care!



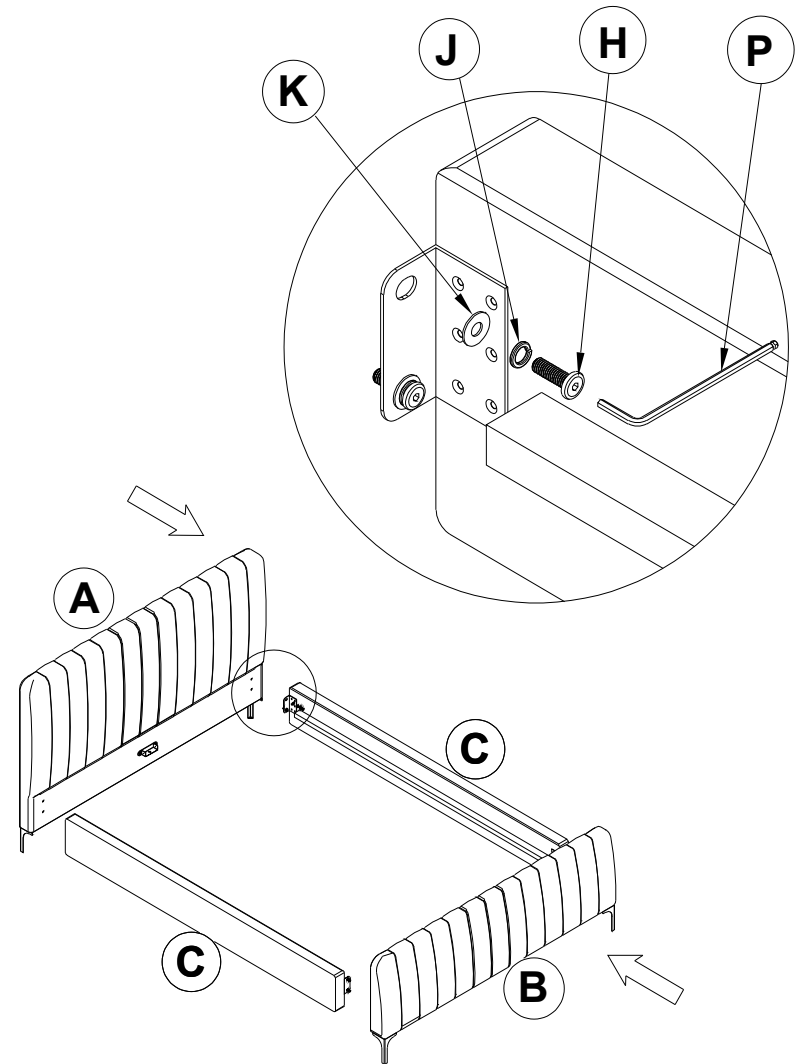
Step 3

- A. Attach the Support Brackets (O) to the Headboard (A) and Footboard (B) using Bolt (H), Spring Washer (J), and Flat Washer (K).
- B. First insert the bolt, then slot the bracket over it, and tighten the bolt with the Allen Key (P).



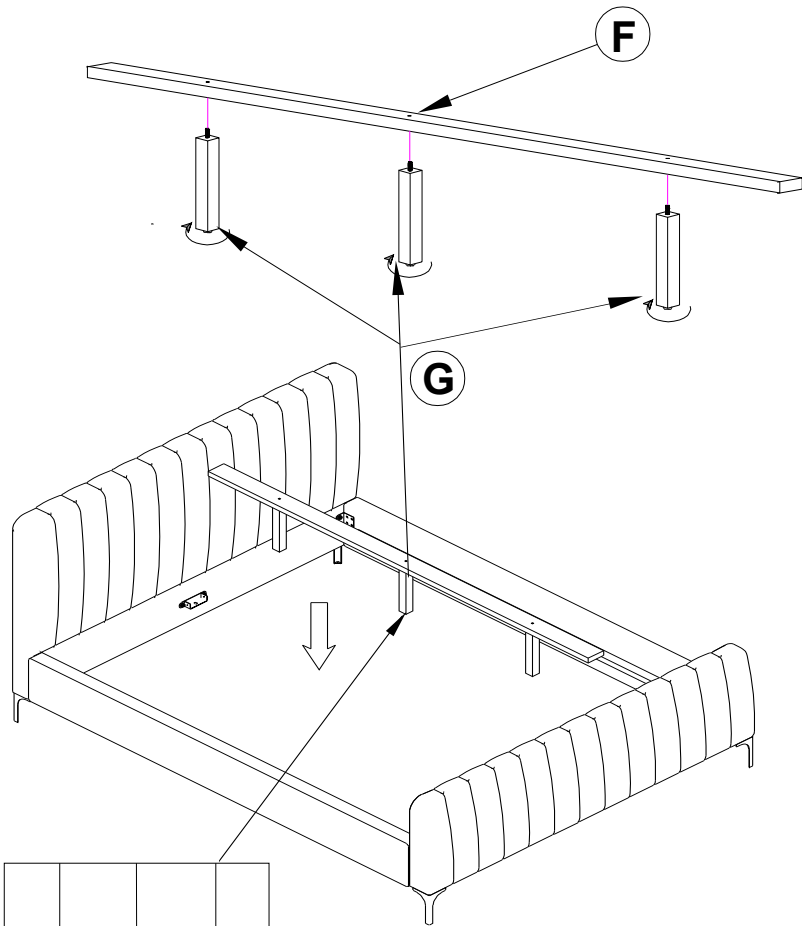
Step 4

- A. Attach Side Rails (C) to the Headboard (A) and Footboard (B) using Bolt (H), Spring Washer (J), and Flat Washer (K).
- B. First insert the bolt, then slot the bracket over it, and tighten the bolt with Allen Key (P).



Step 5

A. Attach the Support Legs (G) to the Support Rail (F), then place the Support Rail onto the Support Brackets.



Adjustable Leveler

Step 1

Open box of hardware. This hardware box will be a smaller box inside of the main box. Look for the red streamer.



Step 2

A. Attach Legs (D) to the Headboard (A) and Footboard (B) using Bolt (I), Spring Washer (L), and Flat Washer (M).
B. First insert the bolt, then slot the bracket over it, and tighten the bolt with Allen Key (P).

