


TOV



Follow us!

Show your new purchase some love by tagging it on our Instagram!

 @tovfurniture

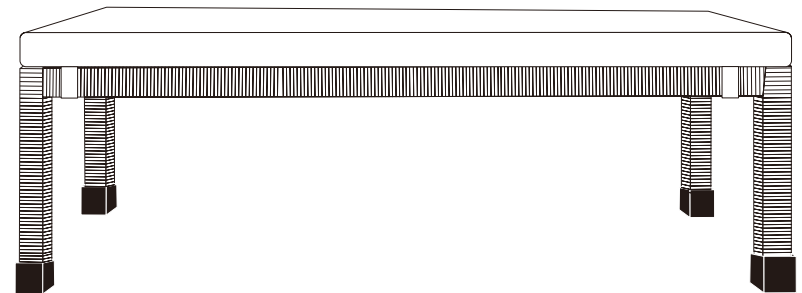
 516-888-3355

 hello@tovfurniture.com

 www.tovfurniture.com

If the future is female—your furniture should be, too. No mahogany in sight. Sexy settees shaped like lips. Price points for any budget. At TOV, we do things differently.






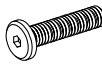

TOV



AMARA RATTAN BENCH

DON'T BE BORING.

Hardware and Components

-  (A) Seat x 1pcs
...
-  (B) Right Leg x 1pcs
...
-  (C) Left Leg x 1pcs
...
-  (D) Cushion x 1pcs
...
-  (E) Washer x 6pcs
...
-  (F) Screw M6X60 x 6pcs
...
-  (G) Wrench M4X60 x 1pcs
...

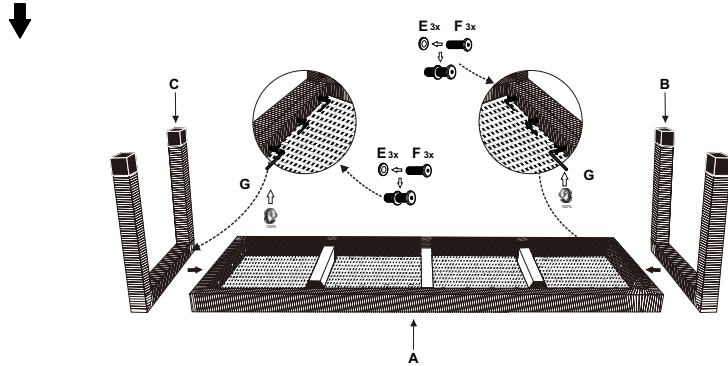
Step 1
Open box of hardware and legs.

This hardware box will be a smaller box inside of the main box. Look for the red streamer.



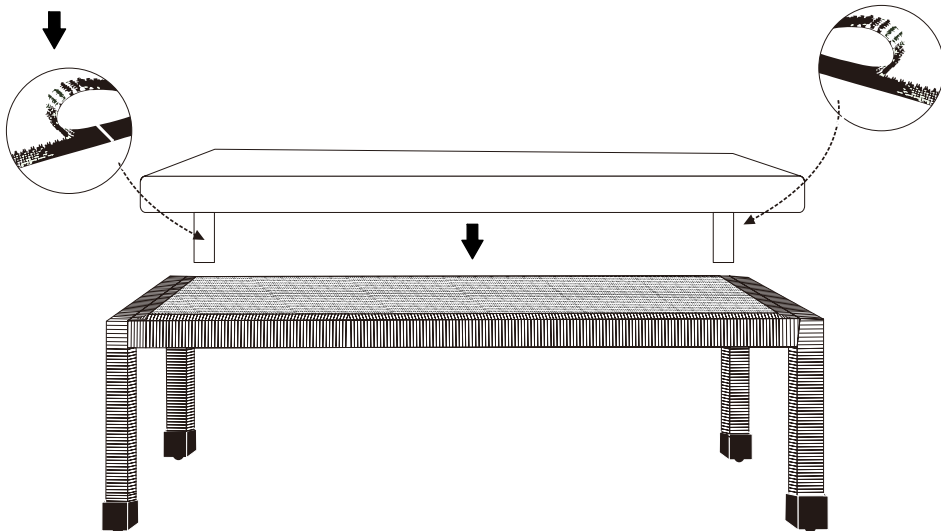
Step 1

1.) Attach the right leg (B) and left leg (C) to the seat (A) securely using the hardware, (E) and (F) with the wrench (G) as shown.



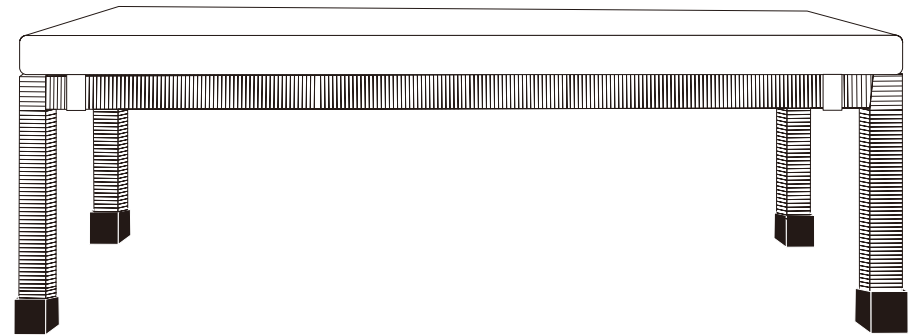
Step 2

2.) Attach the cushion to the bench with the included velcro as shown.



Step 3

A. Complete!



Stuck?

Contact our team @ 516-888-3355

Scan for product care!

