



TOV





Follow us!

Show your new purchase some love by tagging it on our Instagram!

 @tovfurniture

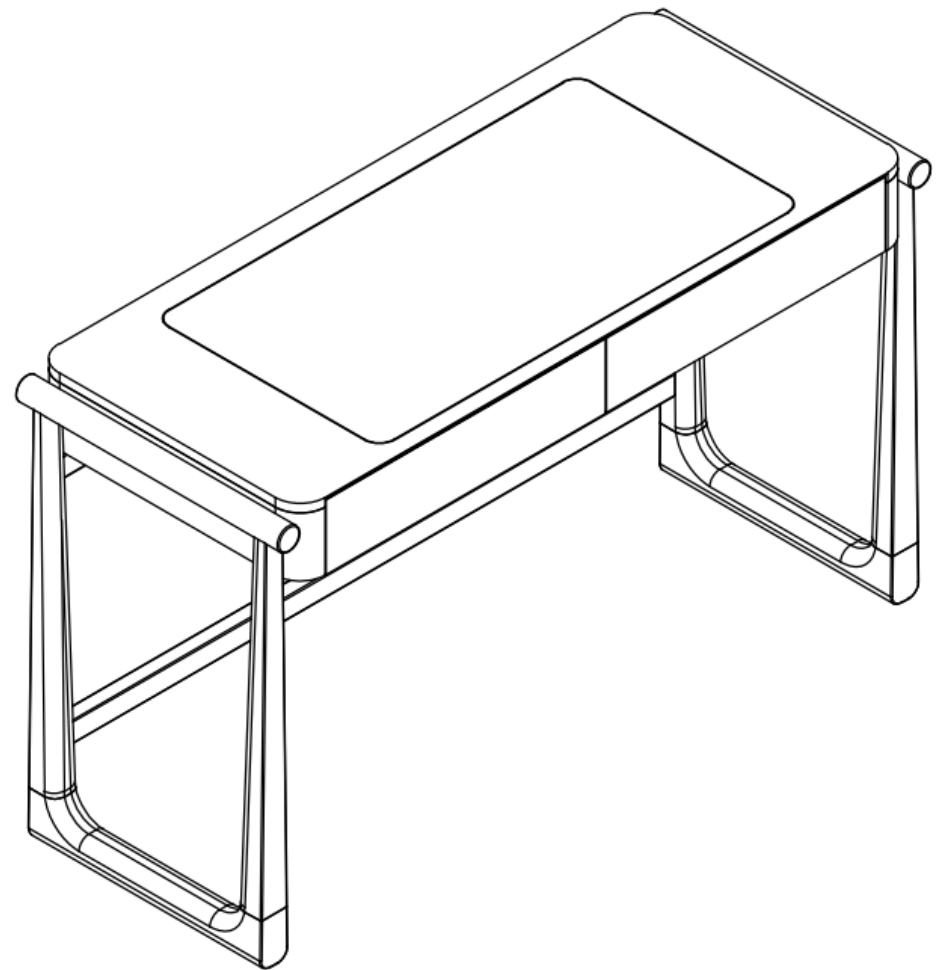
 516-888-3355

 hello@tovfurniture.com

 www.tovfurniture.com

If the future is female—your furniture should be, too. No mahogany in sight. Sexy settees shaped like lips. Price points for any budget. At TOV, we do things differently.

TOV

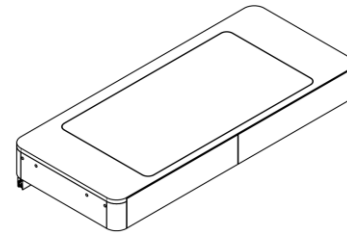


**ALFALFA DESK**

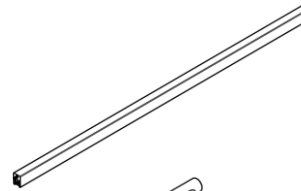
**DON'T BE BORING.**



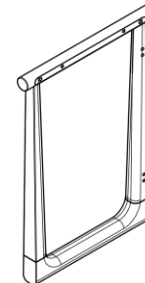
# Hardware and Components



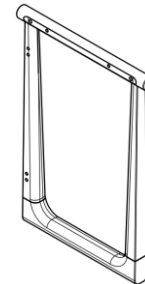
**A** x1pc



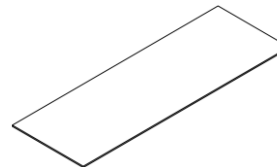
**B** x1pc



**C** x1pc



**D** x1pc



**E** x1pc



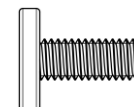
**F** x4pcs



**G** x4pcs



**H** x4pcs



**I** x12pcs



**J** x1pc

## STEP 1

Open box of hardware and legs.

This hardware box will be a smaller box inside of the main box. Look for the red streamer.

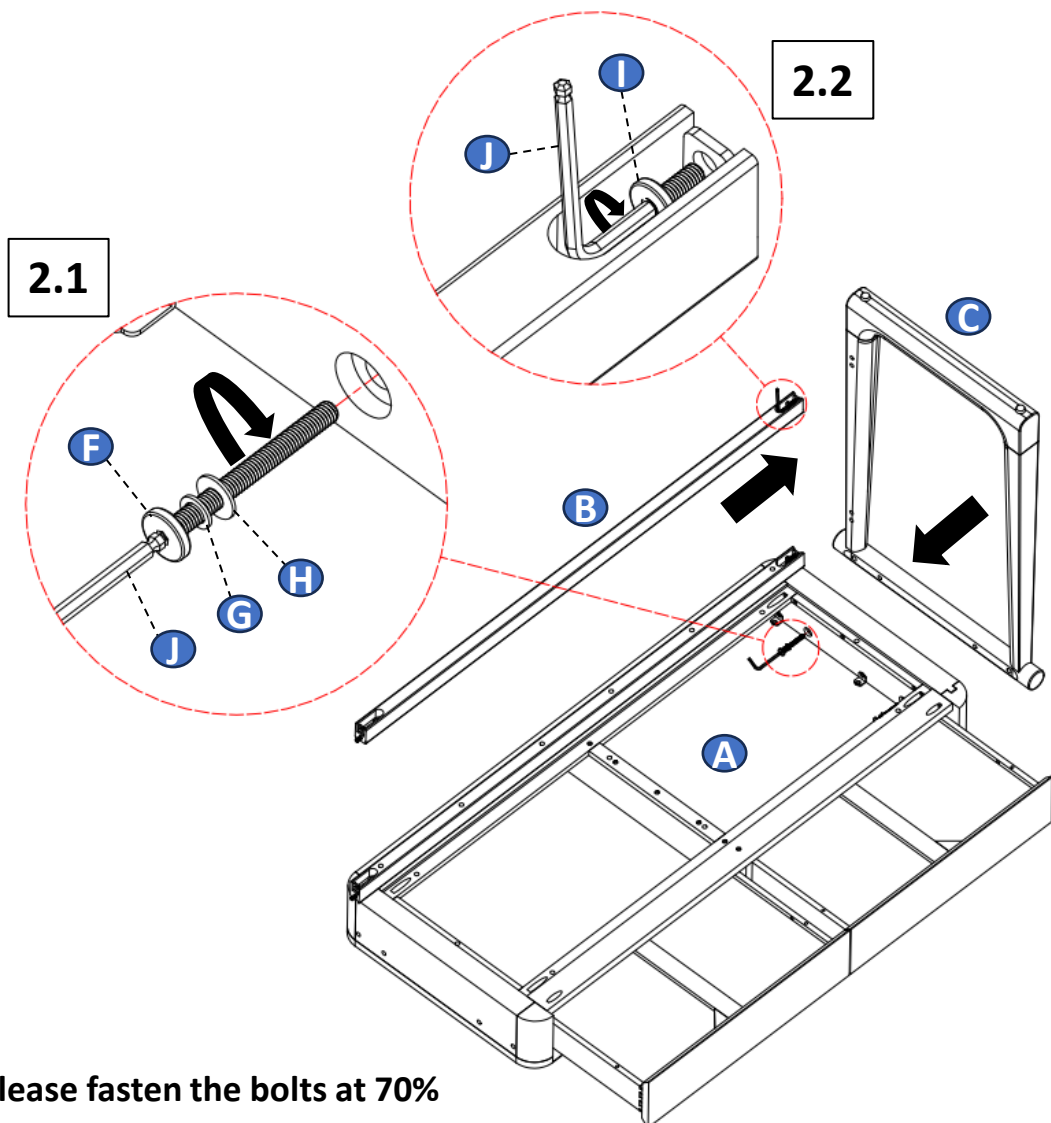


## STEP 2

Place the table top (A) faced down on a clean, non marring surface (i.e. packing foam)

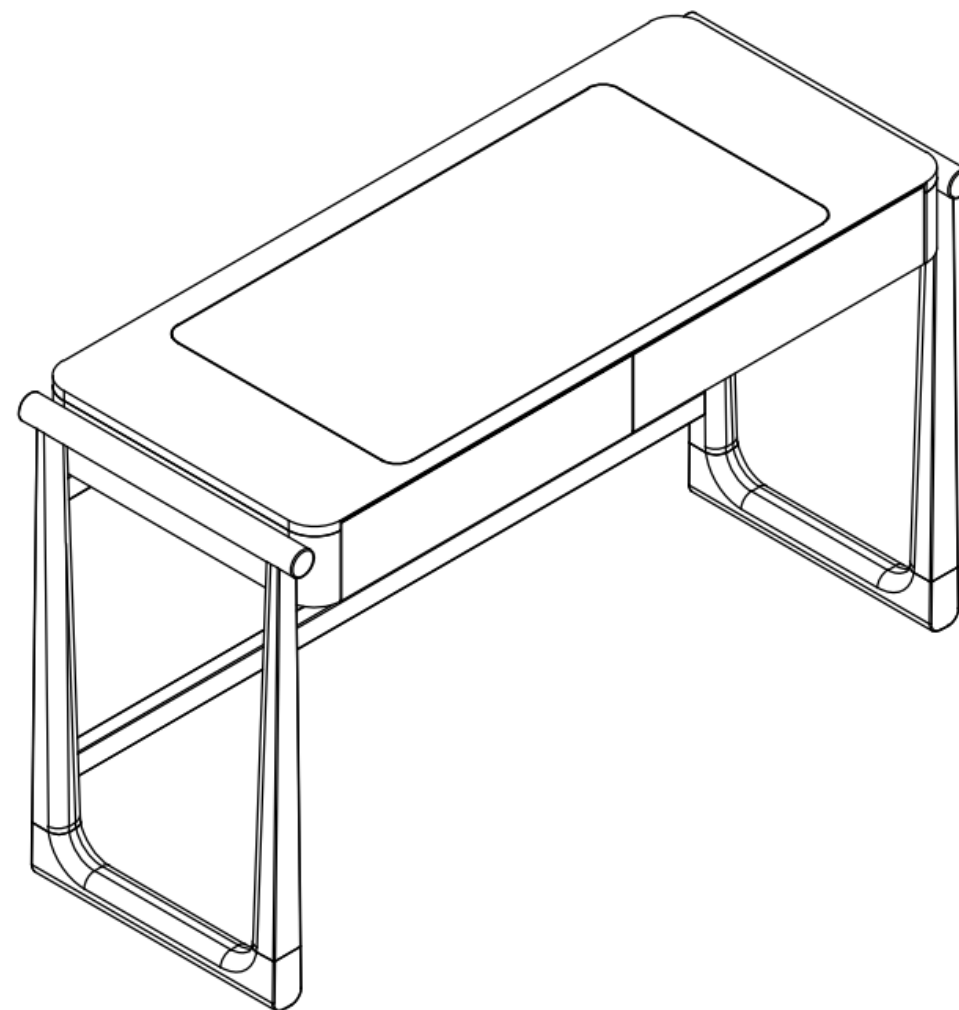
2.1) Align to the correct position of insert holes, attach the left leg (C) to the table top (A) and secure with hardware (F),(G) & (H) with Allen key (J).

2.2) Attach support bar (B) to the left leg (C), and secure with hardware (I) with Allen key (J).



Please fasten the bolts at 70%

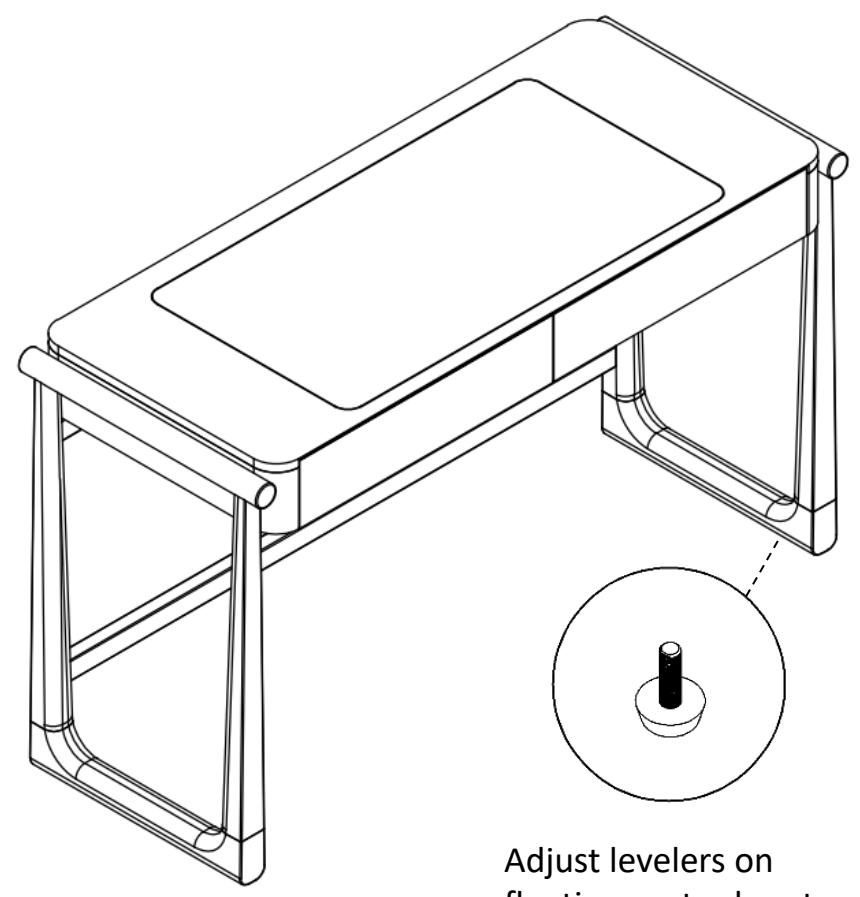
## FINISH



Stuck?  
Contact our team @ 516-888-3355  
Scan for product care!



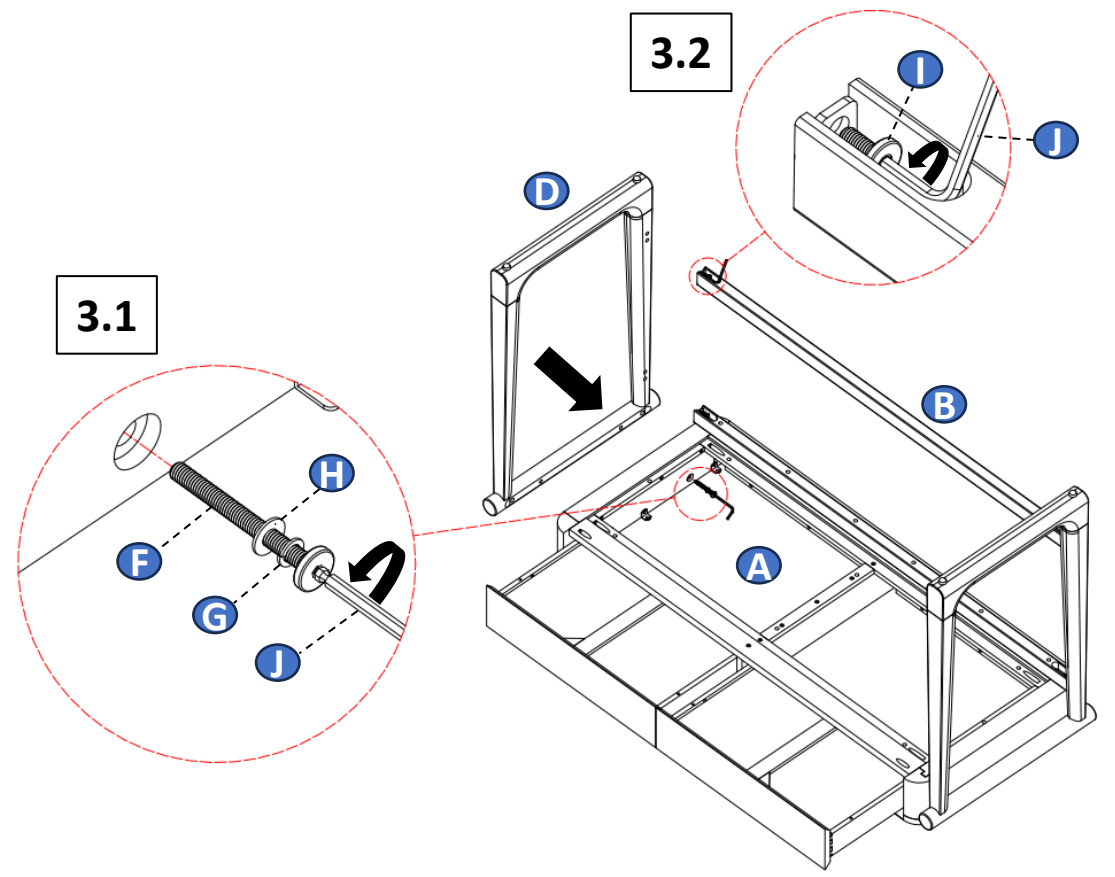
**STEP 6**



Adjust levelers on floating center legs to allow for a 2-3mm clearance

**STEP 3**

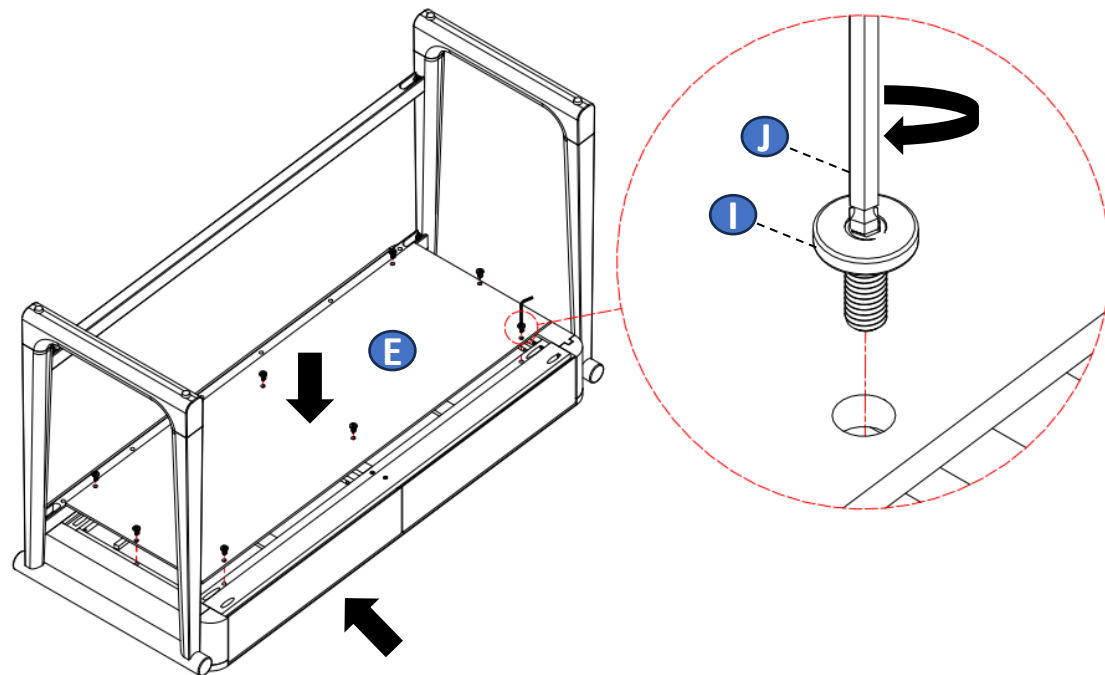
- 3.1) Align to the correct position of insert holes, attach the right leg (D) to the table top (A) and secure with hardware (F),(G) & (H) with Allen key (J).
- 3.2) Secure the right leg (D) and support bar (B) with hardware (I) with Allen key (J).



**Please fasten the bolts at 70%, and fully tighten them after all bolts are fully in place.**

**STEP 4**

- 4.1) Close the drawer
- 4.2) Attach bottom board (E) to the table with hardware (I) with Allen key (J).



**Please fasten the bolts at 70%, and fully tighten them after all bolts are fully in place.**

**STEP 5**

Turn the table around to the upright position with care.

