

TOV



Follow us!

Show your new purchase some love by tagging it on our Instagram!

 @tovfurniture

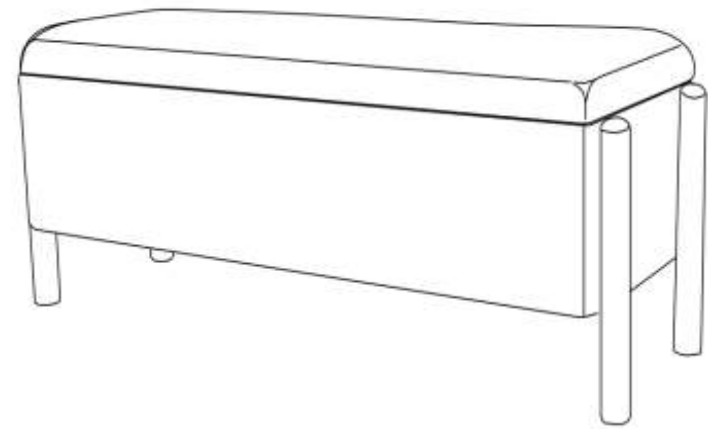
 516-888-3355

 hello@tovfurniture.com

 www.tovfurniture.com

If the future is female—your furniture should be, too. No mahogany in sight. Sexy settees shaped like lips. Price points for any budget. At TOV, we do things differently.

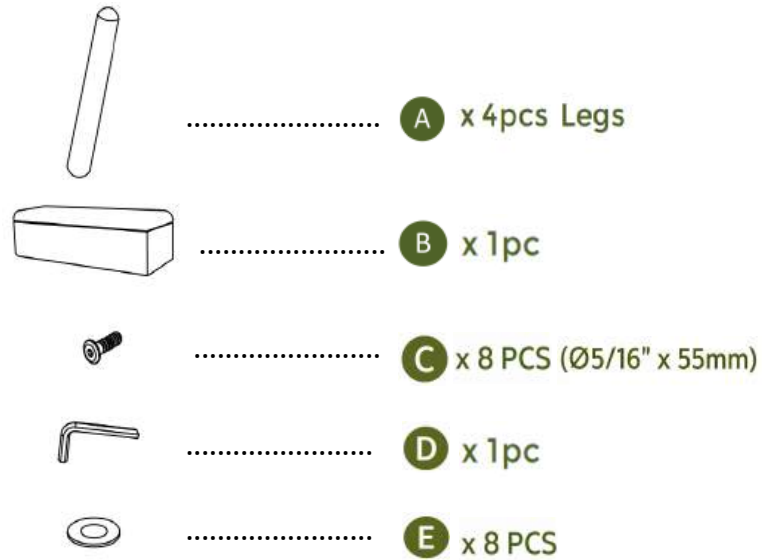
TOV



Abby Storage Bench

DON'T BE BORING.

Hardware and Components



Step 1

Open box of hardware and legs.

The hardware is packed in small plastic bags inside the hardware box.

Look for the red streamer.

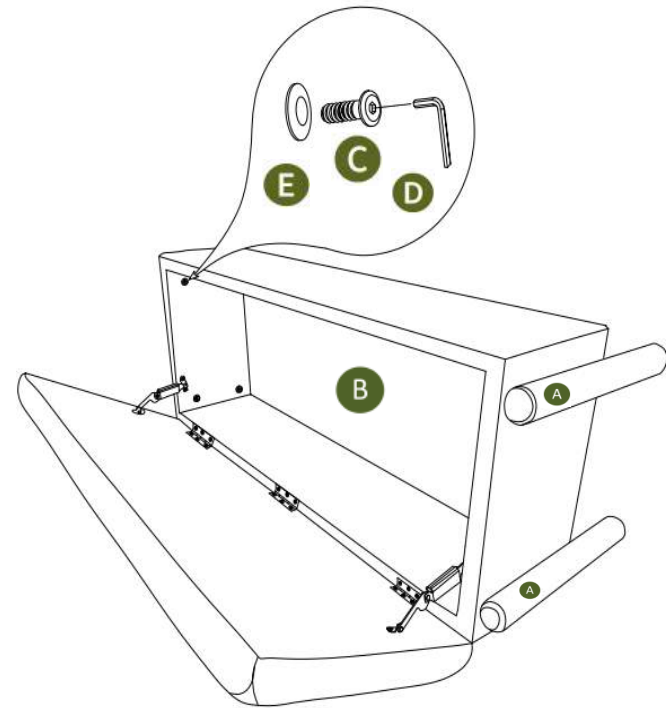


Step 2

A. Place Leg (A) on the base as shown below.

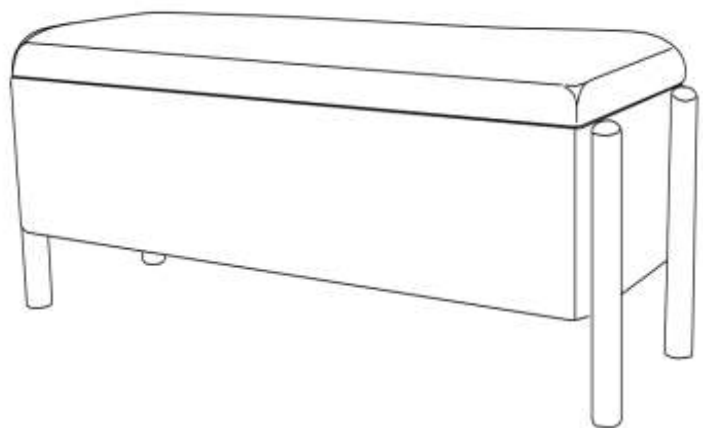
B. Connect the Leg (A) by using Allen Key (D) with Bolt (C) and Flat Washer (E).

C. Repeat 4X, for all 4 Legs.



Step 3

Assembly is complete. Enjoy!



Stuck?

Contact our team @ 516-888-3355

Scan for product care!

