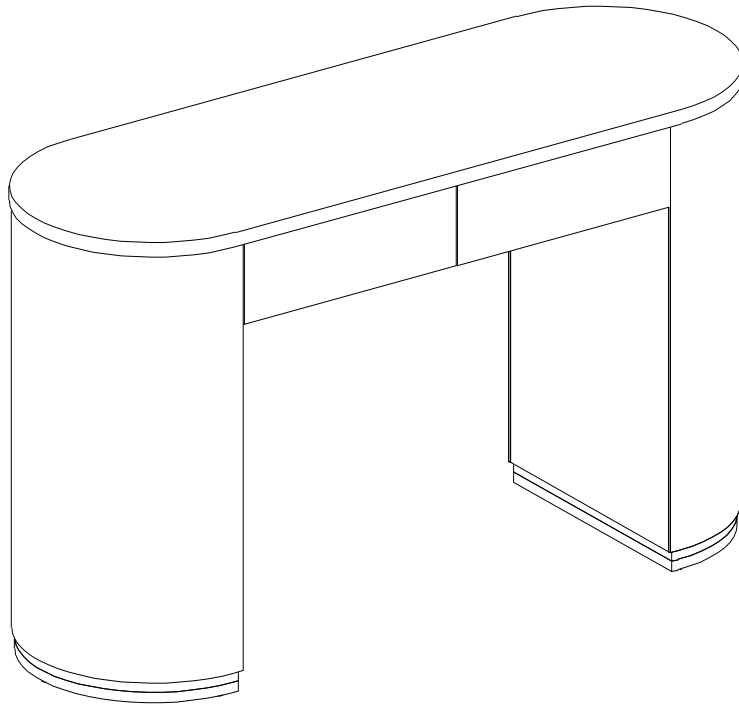


MARLOW WRITING DESK



# MARLOW

## ASSEMBLY INSTRUCTIONS



## PARTS LIST

Label	Picture	Description	Qty
A		Top	1
B		Legs	2

## HARDWARE

Label	Picture	Description	Qty
D		Bolt M6x30	08
E		Washer M6	08
F		Wrench K4x60	1

### BEFORE BEGINNING ASSEMBLY:



Read instructions cover to cover



Have two adults on hand for assembly



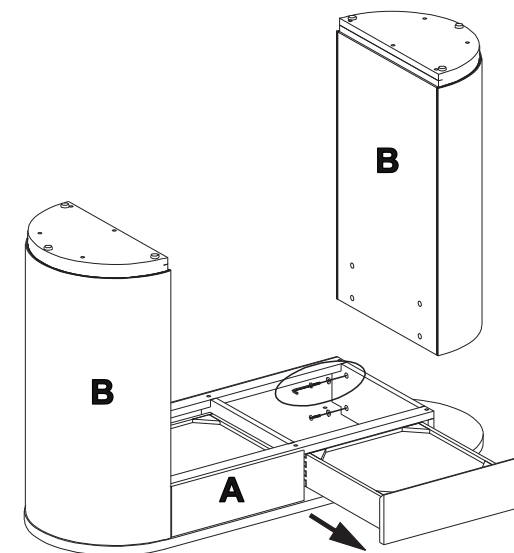
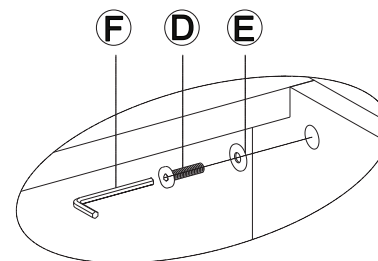
Do NOT assemble on flooring or carpet. Assemble on a clean non-marring surface (ex: packing foam)



Save all packaging until assembly is completed

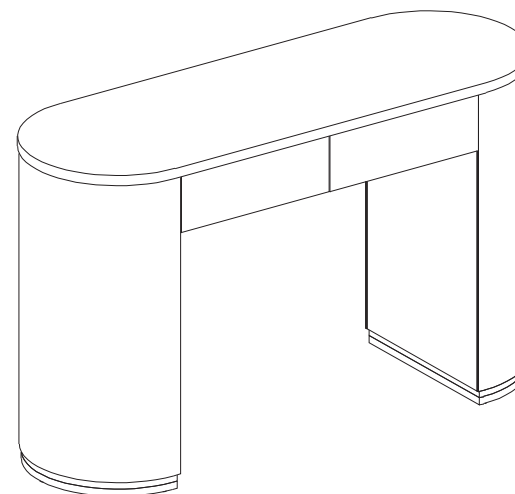
## ASSEMBLY STEPS

### Step 1



Position the product with care, open the drawer.  
Then, while keeping the drawer open, attach the legs as shown.

### Finish



---

## CARE & MAINTENANCE

---



Do not put hot items directly on furniture surface.



Do not clean furniture with harsh cleansers or polish



Dust and wipe up spills using a clean, non-colored, lint-free cloth.



Stains may be removed with a mild soap solution and a damp cloth.



Do not place furniture under direct sunlight.



Do not place furniture near heating or cooling vents.



Do not write on furniture without a padded barrier to protect the surface.



Do not place furniture outside, for indoor use only.