



TOV





**Follow us!**

Show your new purchase some love by tagging it on our Instagram !

 @tovfurniture

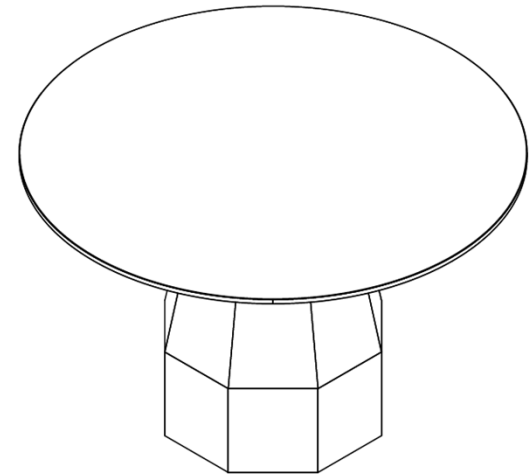
 516-888-3355

 hello@tovfurniture.com

 www.tovfurniture.com

If the future is female—your furniture should be, too. No mahogany in sight. Sexy settees shaped like lips. Price points for any budget. At TOV, we do things differently.

TOV

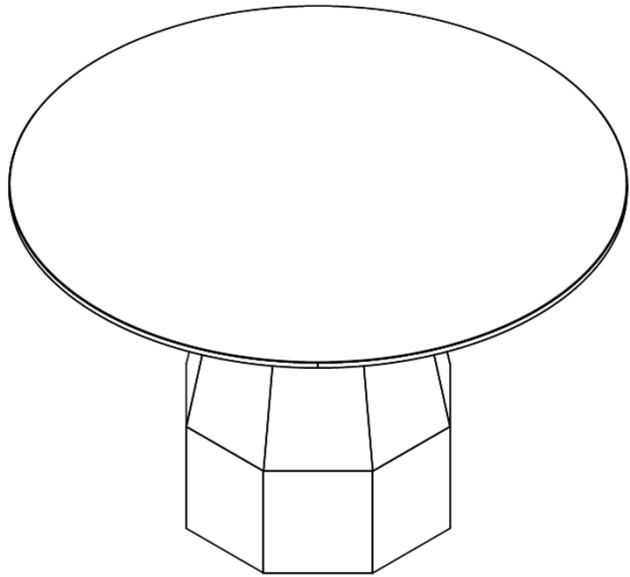


**Brocha 48" Round  
Ash Dining Table**

**DON'T BE BORING.**



FINISH

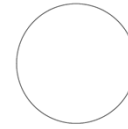


Stuck?  
Contact our team @ 516-888-3355

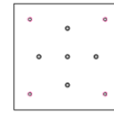
Scan for product care!



## Hardware and Components



A x1pc



B x1pc



C x1pc



D Bolt M6\*35 x9pcs



E Flat washer Ø18x2 x9pcs



F Spring washer Ø10x2 x9pcs



G Allen key x1pc

### STEP 1

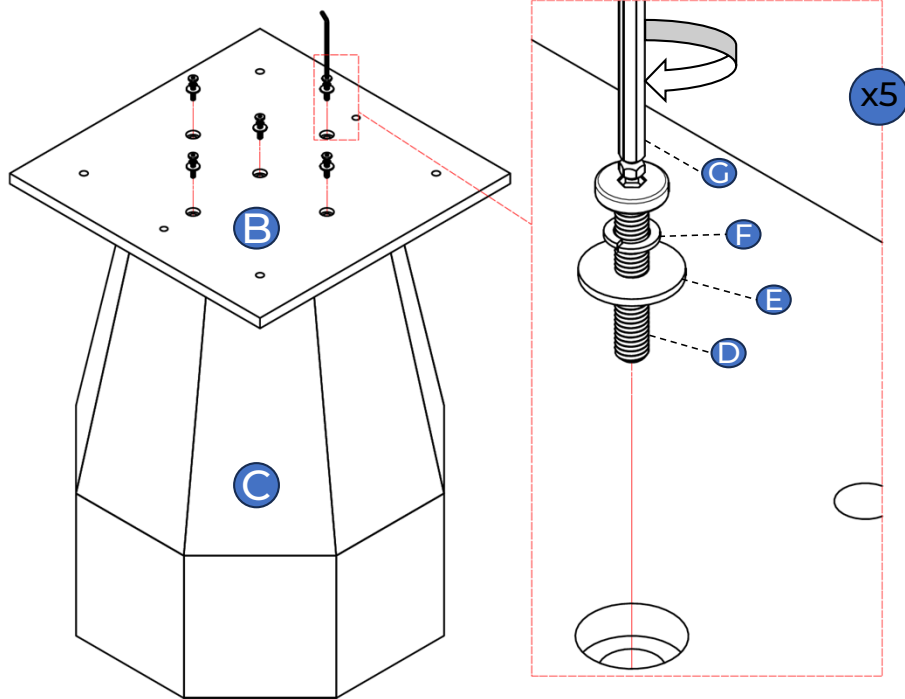
Open box of hardware and legs.

This hardware box will be a smaller box inside of the main box. Look for the red streamer.



### STEP 2

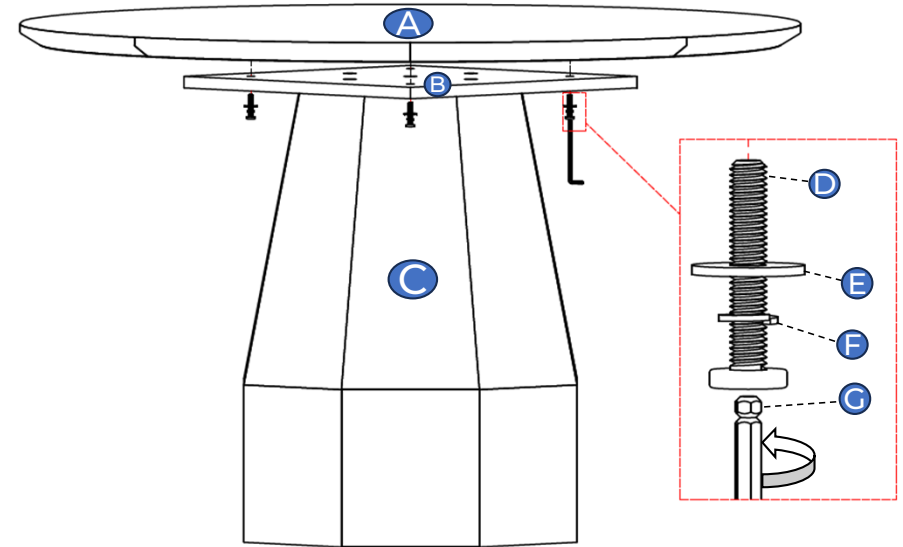
Attach the support panel (B) to the top of base (C). Align with the pre-drilled holes. Use hardware (D), (E) and (F) with Allen key (G) to tighten all bolts.



Please fasten the bolts at 70%, and fully tighten them after all bolts are fully in place.

### STEP 3

Place table top (A) on the table base (B). Align with the pre-drilled holes then secure the base to table top by using hardware (D),(E),(F) with Allen Key (G).



Please fasten the bolts at 70%, and fully tighten them after all bolts are fully in place.