



TOV





**Follow us!**

Show your new purchase some love by tagging it on our Instagram !

 @tovfurniture

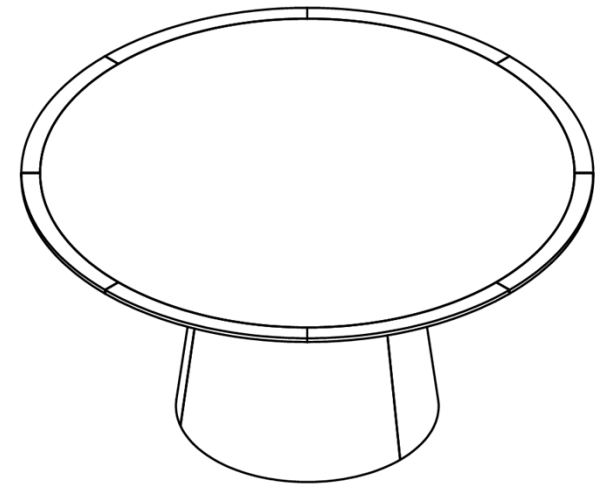
 516-888-3355

 hello@tovfurniture.com

 www.tovfurniture.com

If the future is female—your furniture should be, too. No mahogany in sight. Sexy settees shaped like lips. Price points for any budget. At TOV, we do things differently.

TOV

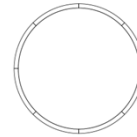


**Sahara 60" Round  
Oak Dining Table**

**DON'T BE BORING.**



## Hardware and Components



----- A x1pc



----- B x1pc



----- C Bolt M8\*30 x6pcs



----- D Flat washer Ø18x2 x6pcs



----- E Spring washer Ø13x2 x6pcs



----- F Allen key x1pc

## STEP 1

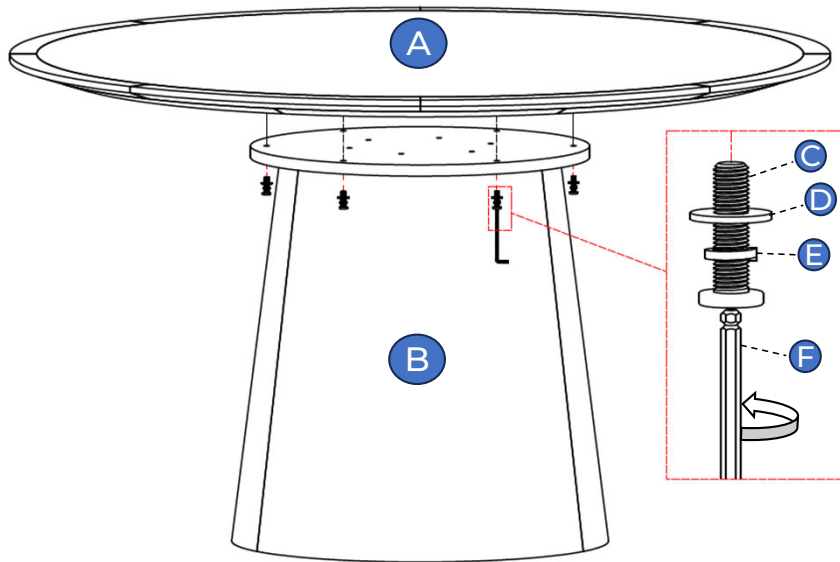
Open box of hardware and legs.

This hardware box will be a smaller box inside of the main box. Look for the red streamer.



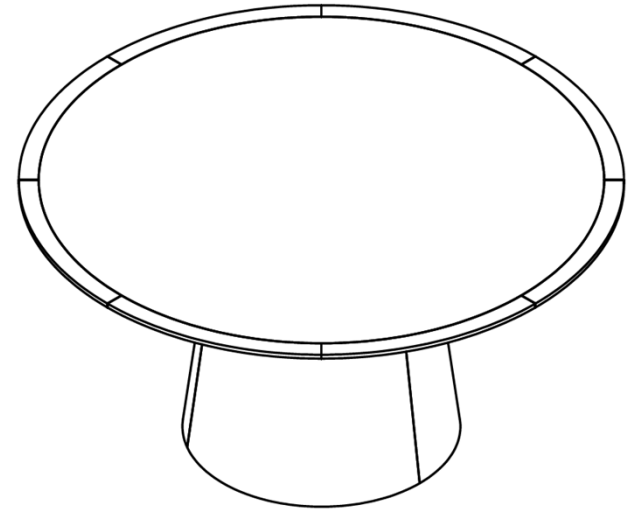
## STEP 2

Place table top (A) on the table base (B). Align with the pre-drilled holes then secure the base to table top by using hardware (C),(D),(E) with Allen Key (F).



Please fasten the bolts at 70%, and fully tighten them after all bolts are fully in place.

## FINISH



Stuck?  
Contact our team @ 516-888-3355

Scan for product care!

