


TOV



Follow us!

Show your new purchase some love by tagging it on our Instagram!

 @tovfurniture

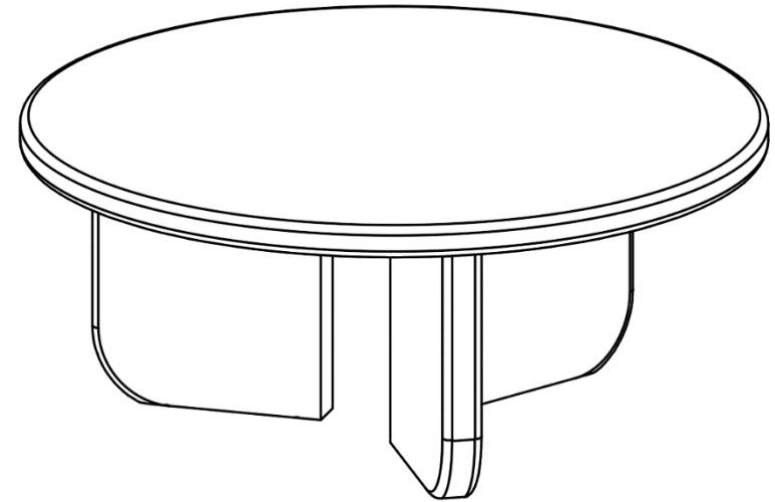
 516-888-3355

 hello@tovfurniture.com

 www.tovfurniture.com

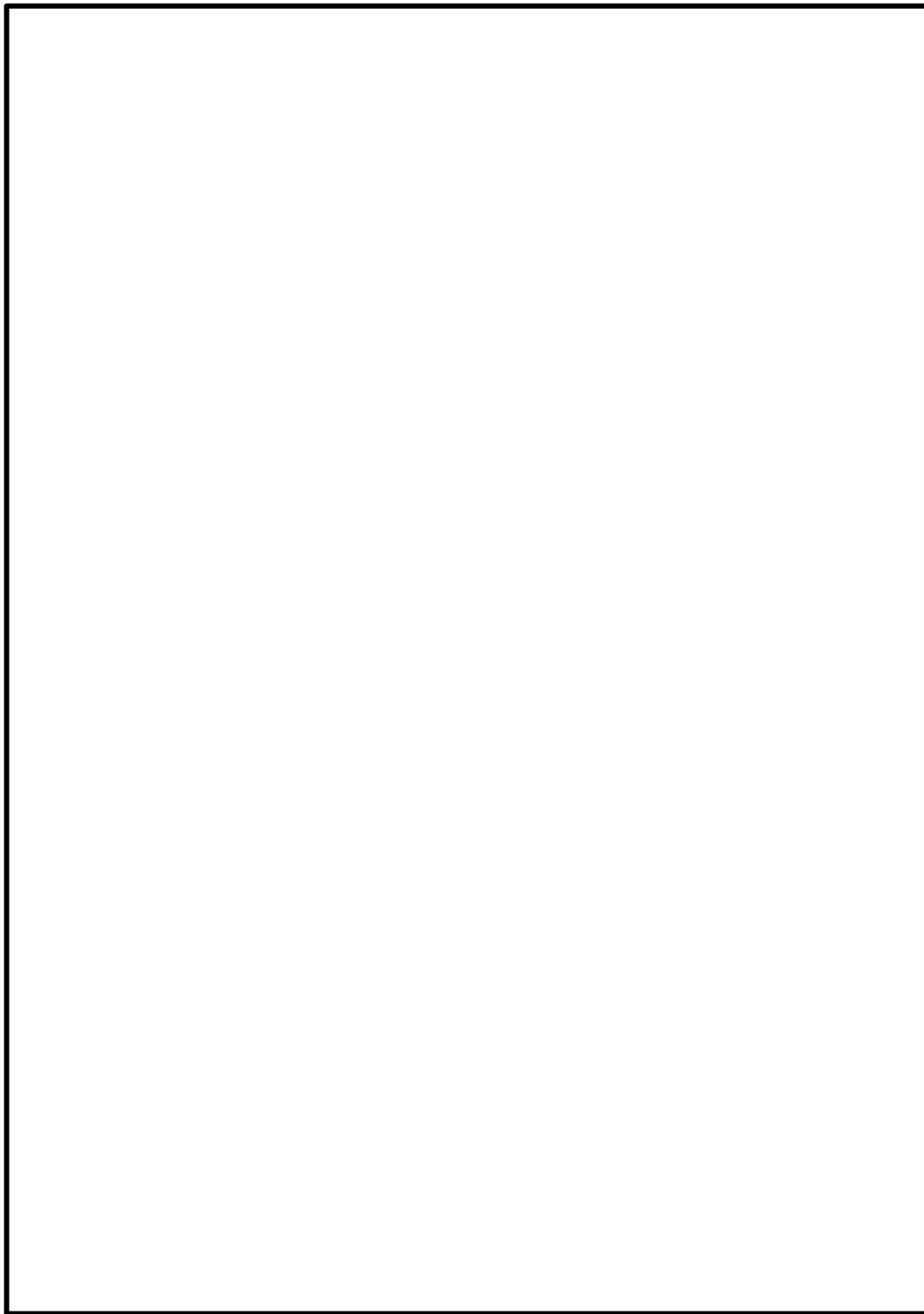
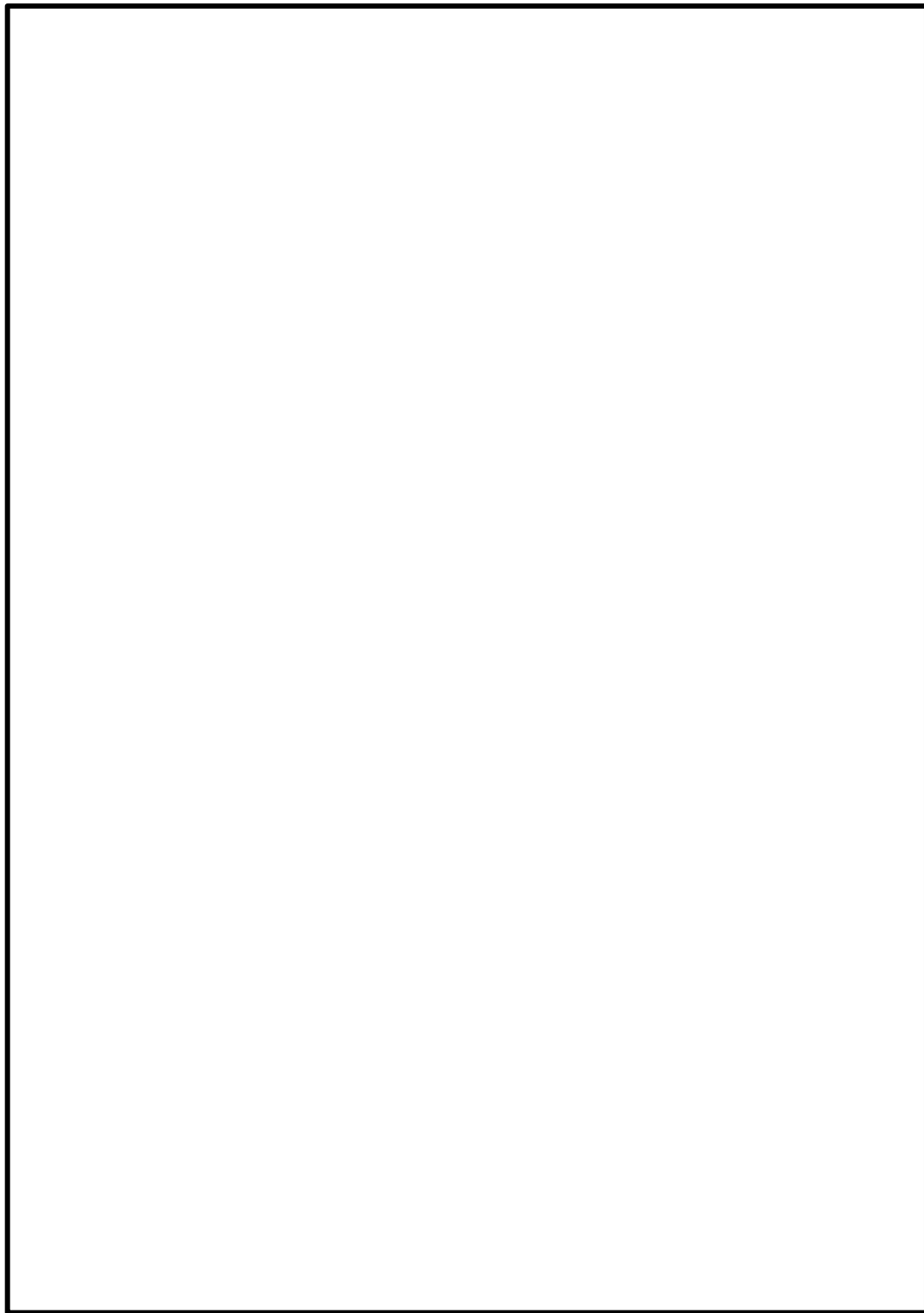
If the future is female—your furniture should be, too. No mahogany in sight. Sexy settees shaped like lips. Price points for any budget. At TOV, we do things differently.

TOV



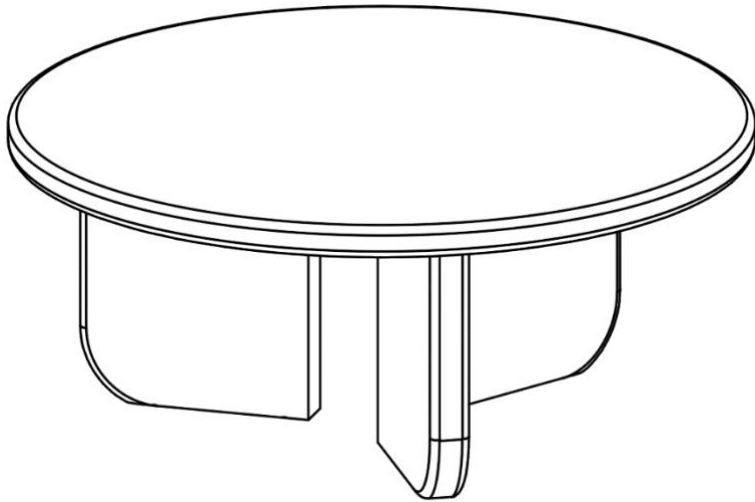
Patrizia Coffee Table

DON'T BE BORING.



Step 4

Assembly is complete. Enjoy!



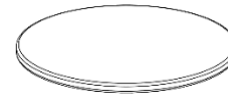
Stuck?

Contact our team @ 516-888-3355

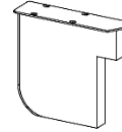
Scan for product care!



Hardware and Components



..... (A) Top x 1pc



..... (B) Legs x 3pcs



..... (C) Bolt M8*20 x 12pcs



..... (D) Washer Ø22*2 x 12pcs



..... (E) Allen Key x 1pc

Step 1

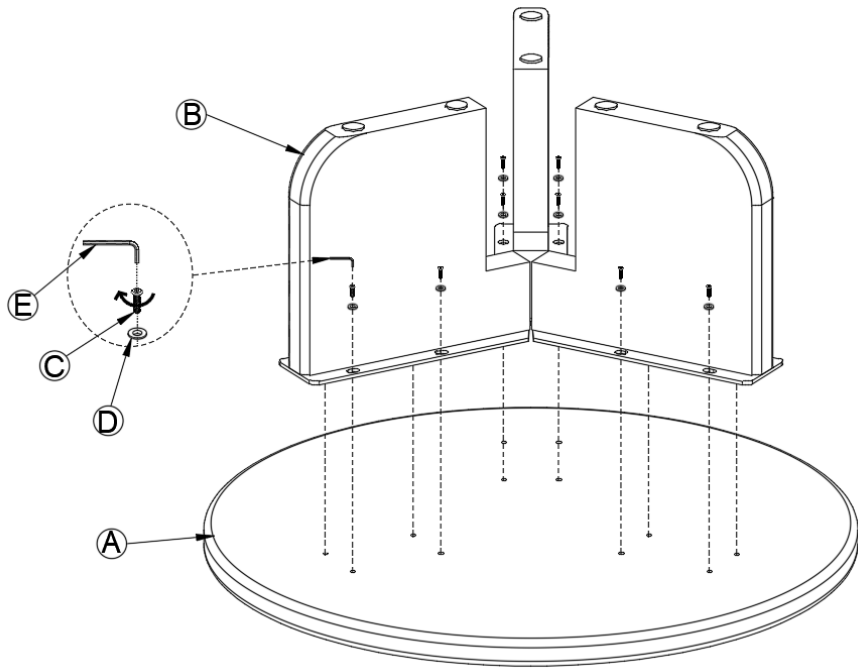
Open box of hardware and legs.

This hardware box will be a smaller box inside of the main box. Look for the red streamer.



Step 2

- A. Place table Top (A) face upside down on the floor.
- B. Use Allen Key (E) with hardware (C) and (D) to secure Legs (B) To the table Top (A).



Please fasten the screws/bolts at 70%, and fully tighten them after all screws/bolts are fully in place.

Step 3

- With help, turn the table over so it is standing in the upright position.

