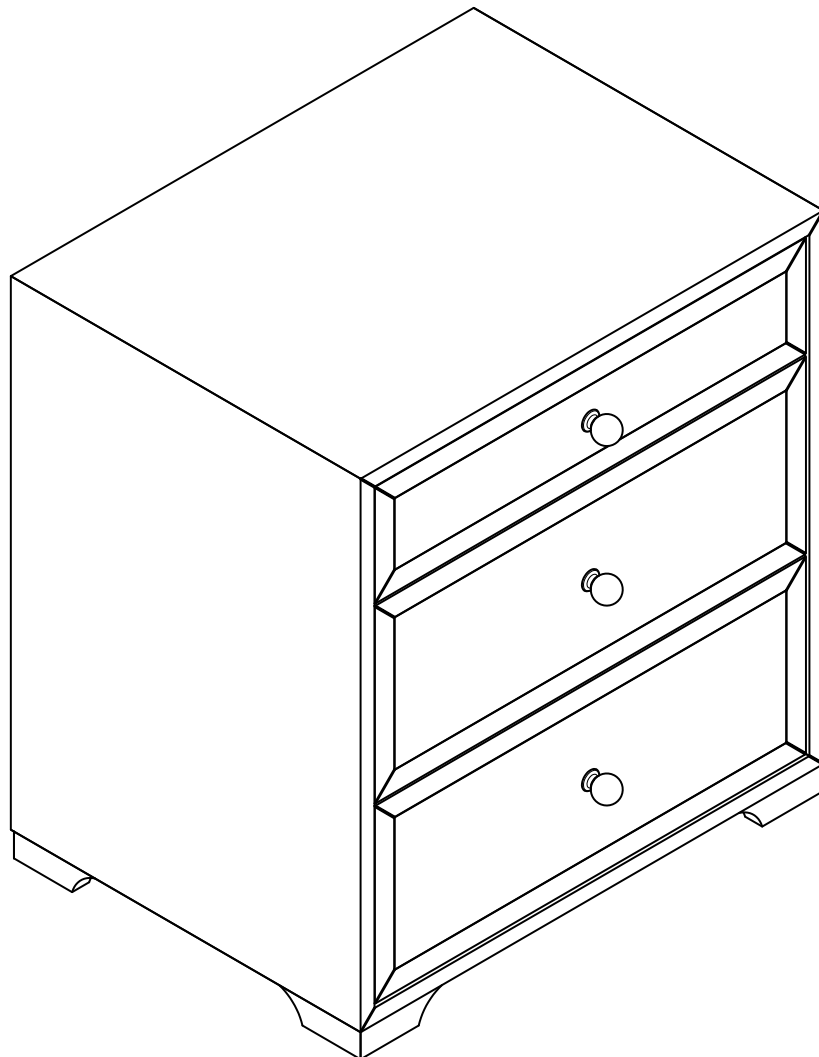




**LAURENTIS LIGHT TAUPE SUEDE AND WOOD
3-DRAWER NIGHTSTAND**

LAURENTIS

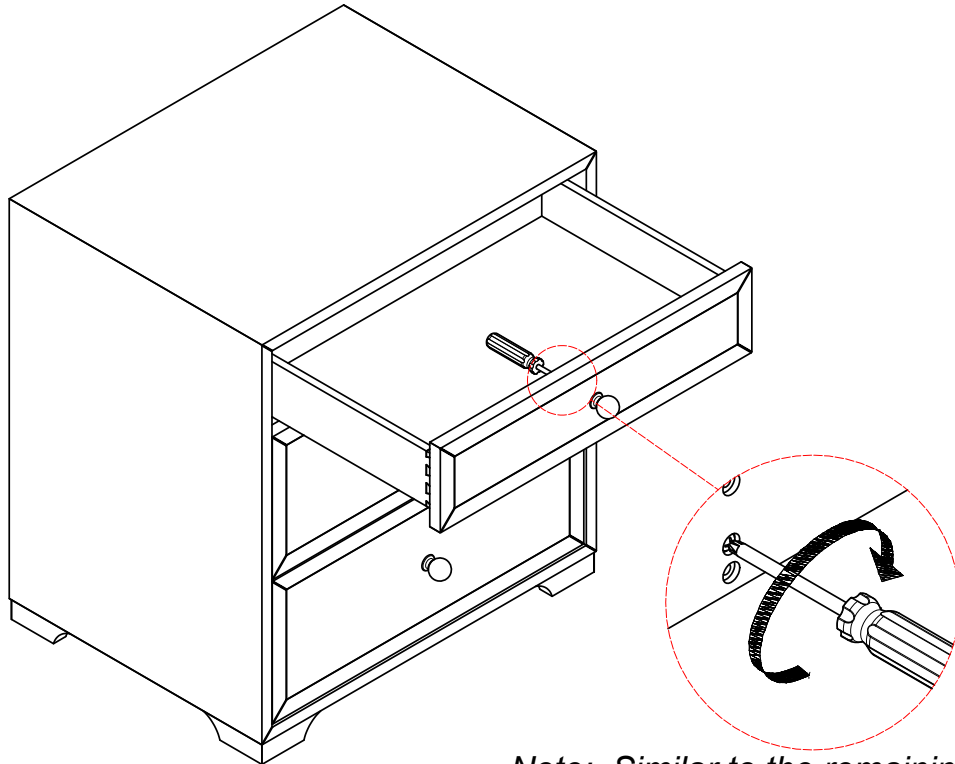
ASSEMBLY INSTRUCTIONS



ASSEMBLY STEPS

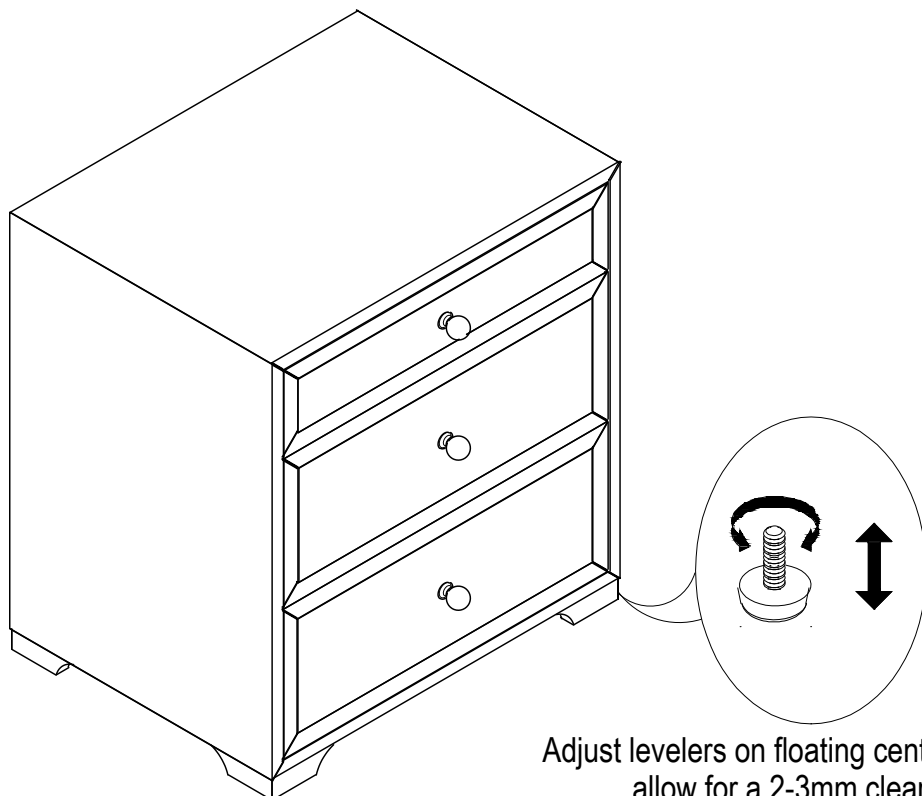
STEP 1

Remove the handle from inside of the drawer, and reinstall the handle outside as shown.



Note: Similar to the remaining drawers.

FINISH



Adjust levelers on floating center legs to allow for a 2-3mm clearance

CARE & MAINTENANCE



Do not put hot items directly on furniture surface.



Do not clean furniture with harsh cleansers or polish



Dust and wipe up spills using a clean, non-colored, lint-free cloth.



Stains may be removed with a mild soap solution and a damp cloth.



Do not place furniture under direct sunlight.



Do not place furniture near heating or cooling vents.



Do not write on furniture without a padded barrier to protect the surface.



Do not place furniture outside, for indoor use only.