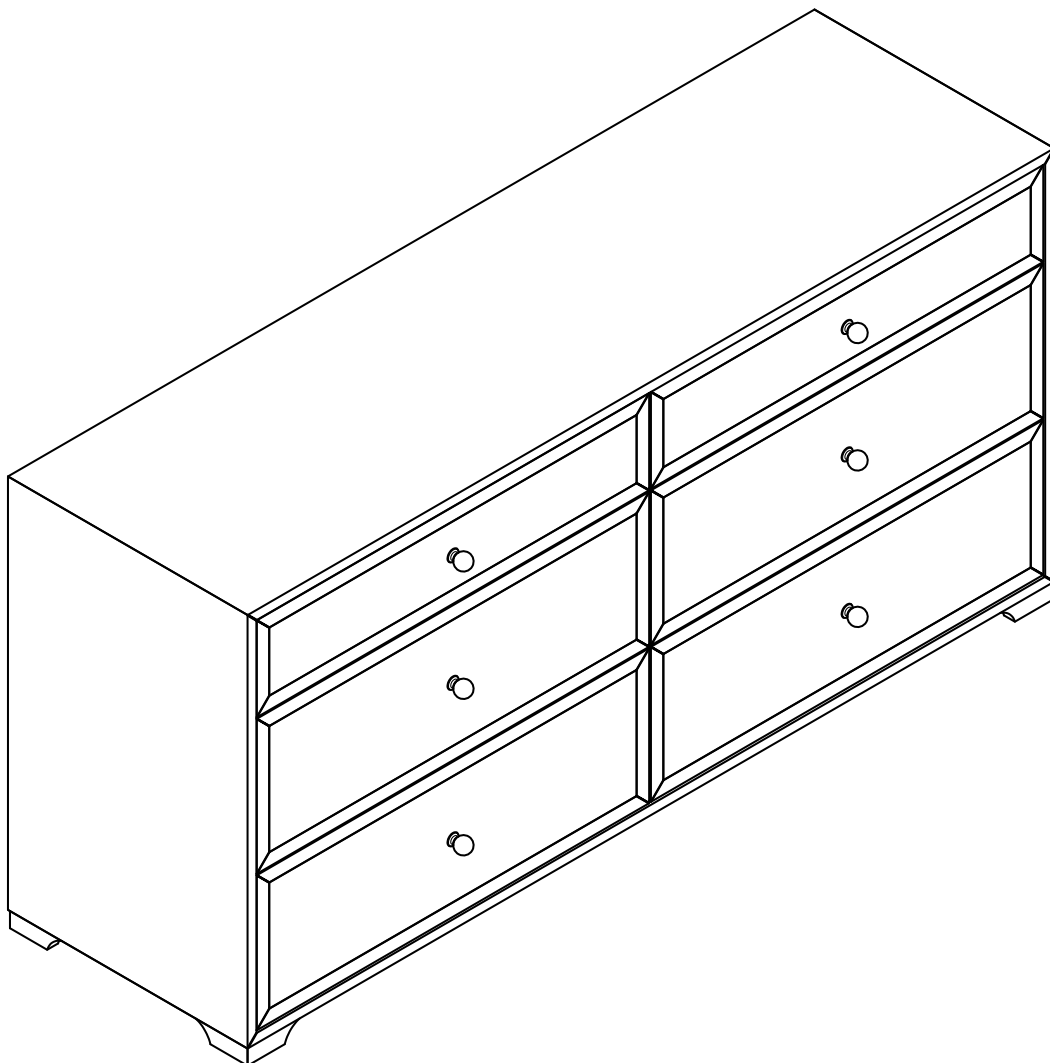







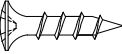
**LAURENTIS LIGHT TAUPE SUEDE AND WOOD
6-DRAWER DRESSER**

LAURENTIS

ASSEMBLY INSTRUCTIONS



HARDWARE

Label	Picture	Description	Qty
A		Anti-tip Kit	2
B		Plastics Wall Anchors	4
C		M4x40 Screws	4
D		M4x20 Pan Head Screws	4

BEFORE BEGINNING ASSEMBLY



Read instructions cover to cover



Have two adults on hand for assembly



Do NOT assemble on flooring or carpet. Assemble on a clean non-marring surface (ex: packing foam)

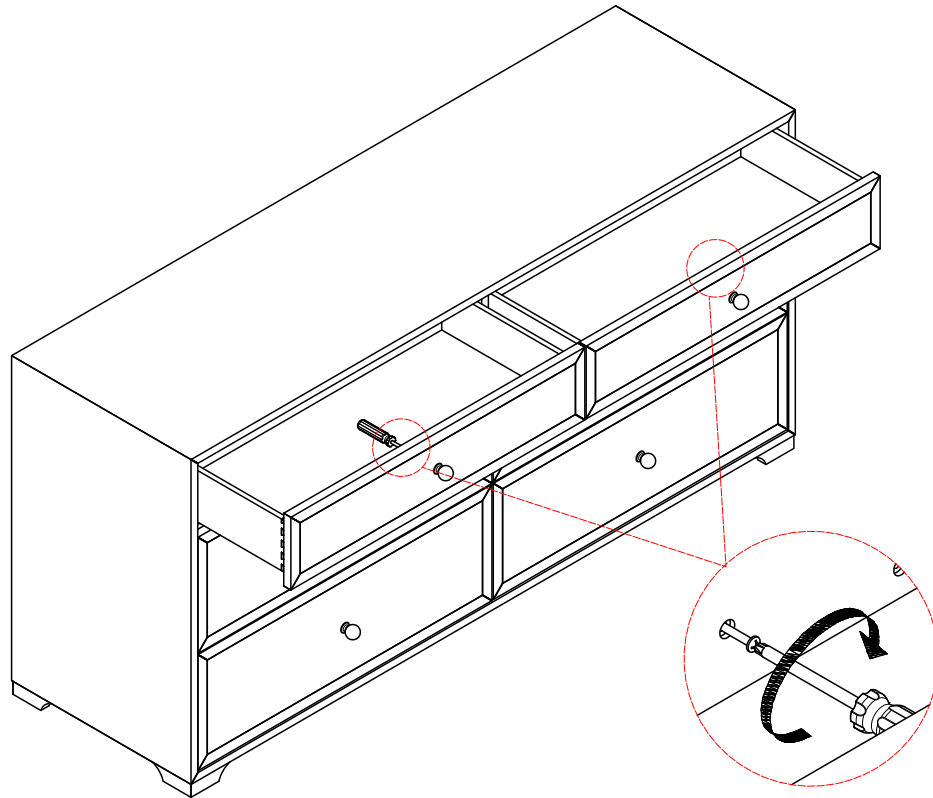


Save all packaging until assembly is completed

ASSEMBLY STEPS

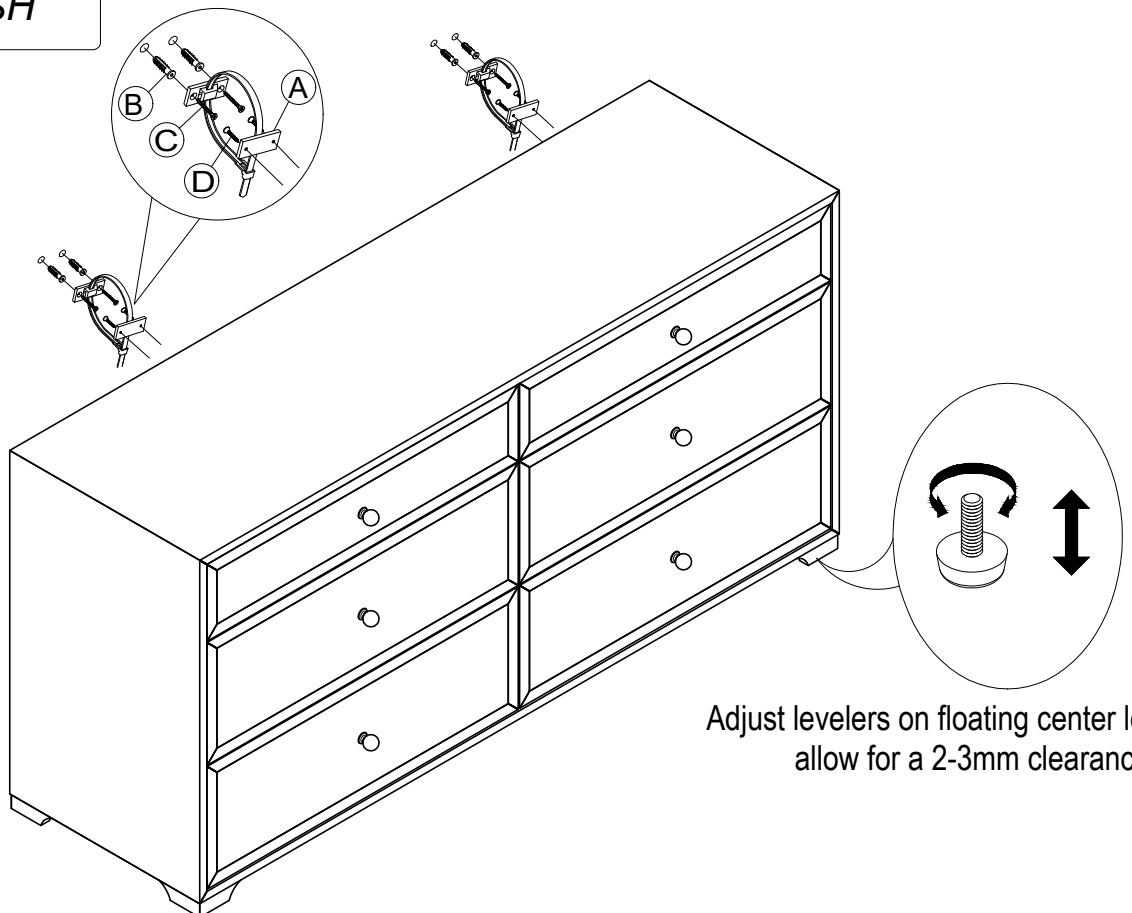
STEP 1

Remove the handle from inside of the drawer, and reinstall the handle outside as shown.



Note: Similar to the remaining drawers.

FINISH



Adjust levelers on floating center legs to allow for a 2-3mm clearance

CARE & MAINTENANCE



Do not put hot items directly on furniture surface.



Do not clean furniture with harsh cleansers or polish



Dust and wipe up spills using a clean, non-colored, lint-free cloth.



Stains may be removed with a mild soap solution and a damp cloth.



Do not place furniture under direct sunlight.



Do not place furniture near heating or cooling vents.



Do not write on furniture without a padded barrier to protect the surface.



Do not place furniture outside, for indoor use only.