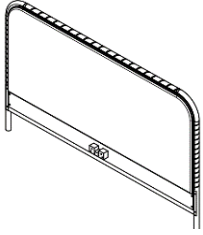


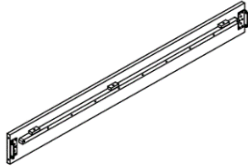
Hatia Bed

Assembly Instructions

Hardware and Components



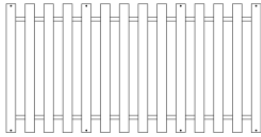
----- **A** x1pc



----- **B** x2pcs



----- **C** x1pc



----- **D** x2pcs



----- **E** x1pc



----- **F** x2pcs



----- **G** x1pc



----- **H** x2pcs



----- **I** x8pcs



----- **J** x8pcs



----- **K** x18pcs



----- **L** x8pcs

STEP 1

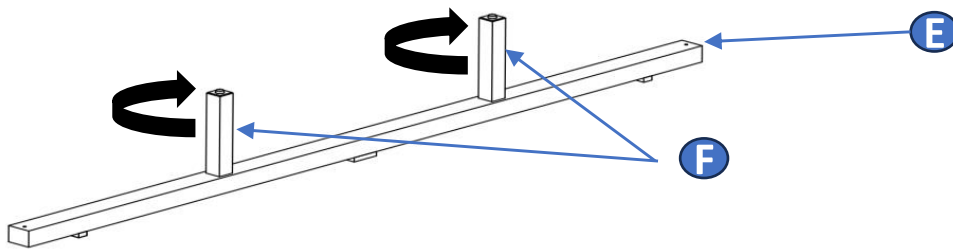
Open box of hardware and legs.

This hardware box will be a smaller box inside of the main box. Look for the red streamer.



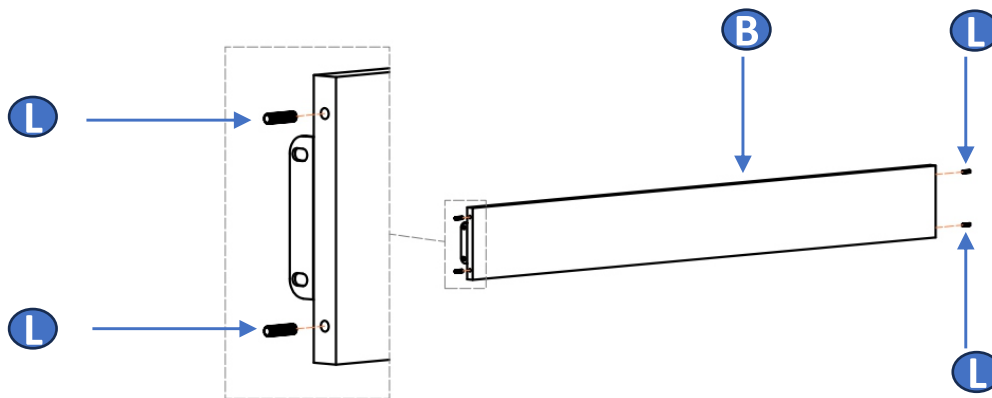
STEP 2

1) Secure the legs (F) to the center support bar (E).

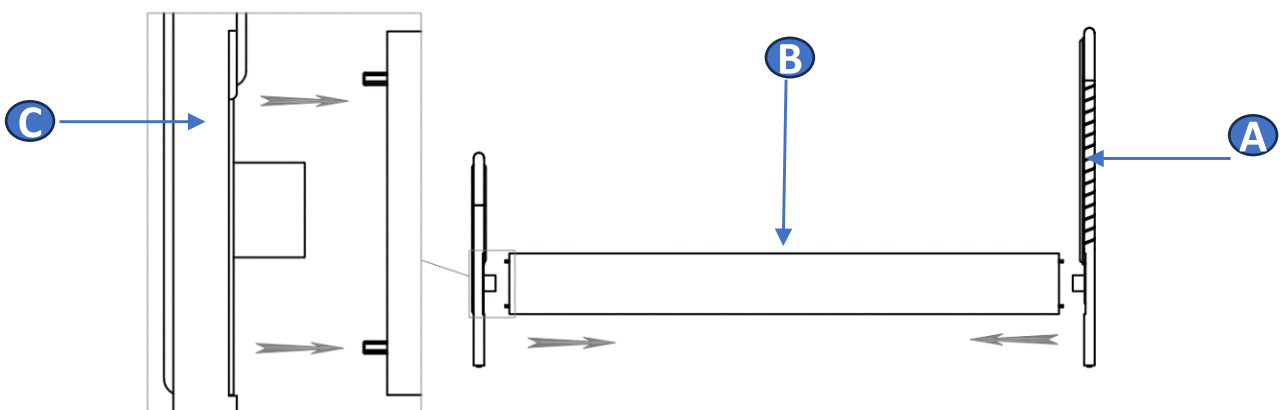


STEP 3

1) Insert hardware (L) into the holes on side rail (B), headboard (A) and footboard (C) as shown.

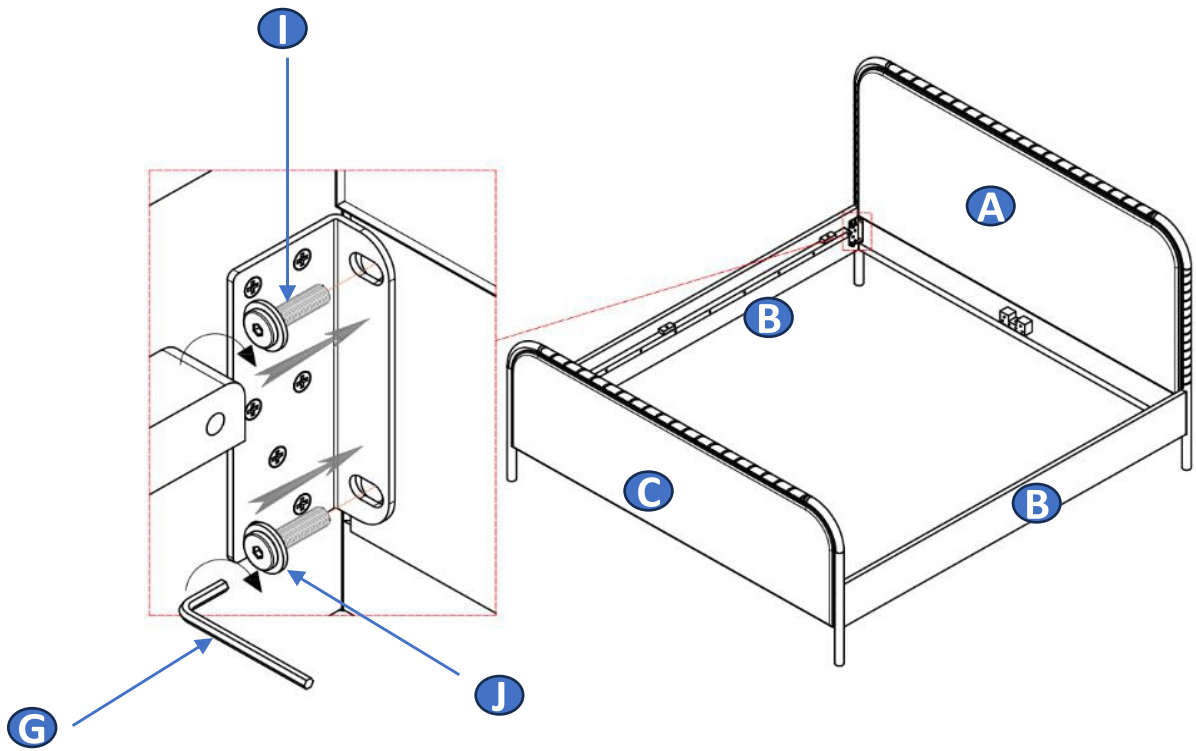


STEP 4

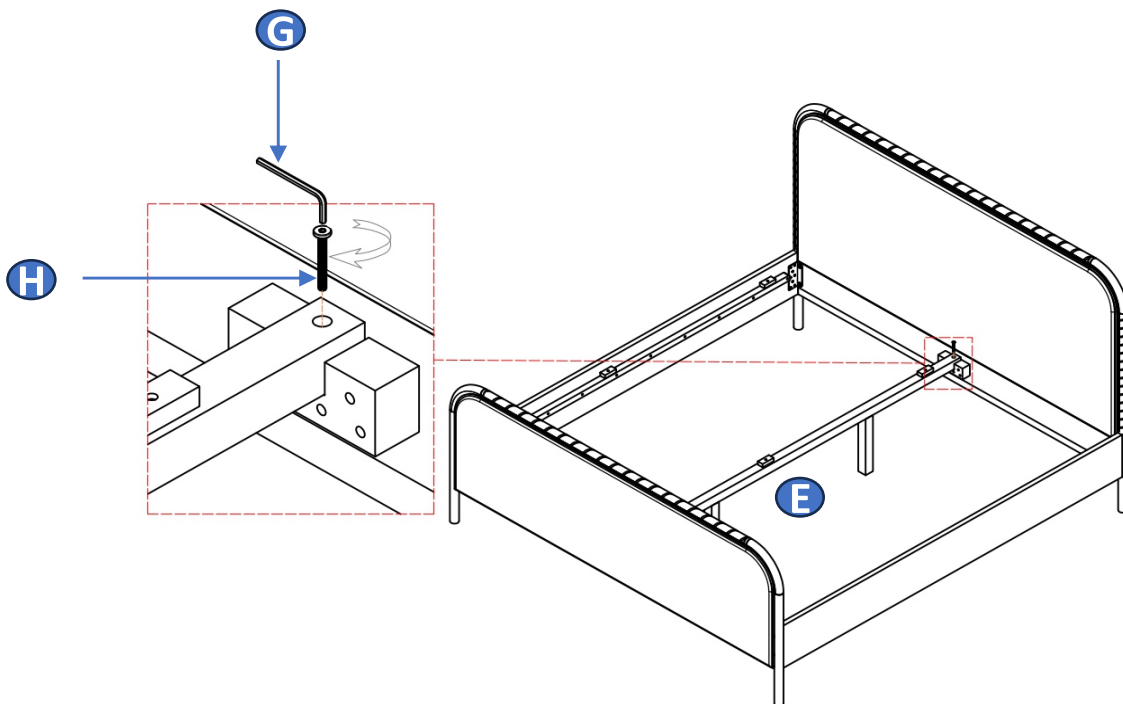


STEP 5

1) Attach both end of side rails (B) to headboard (A) and footboard (C) with Bolts(I), (J) & by Allen key (G)..

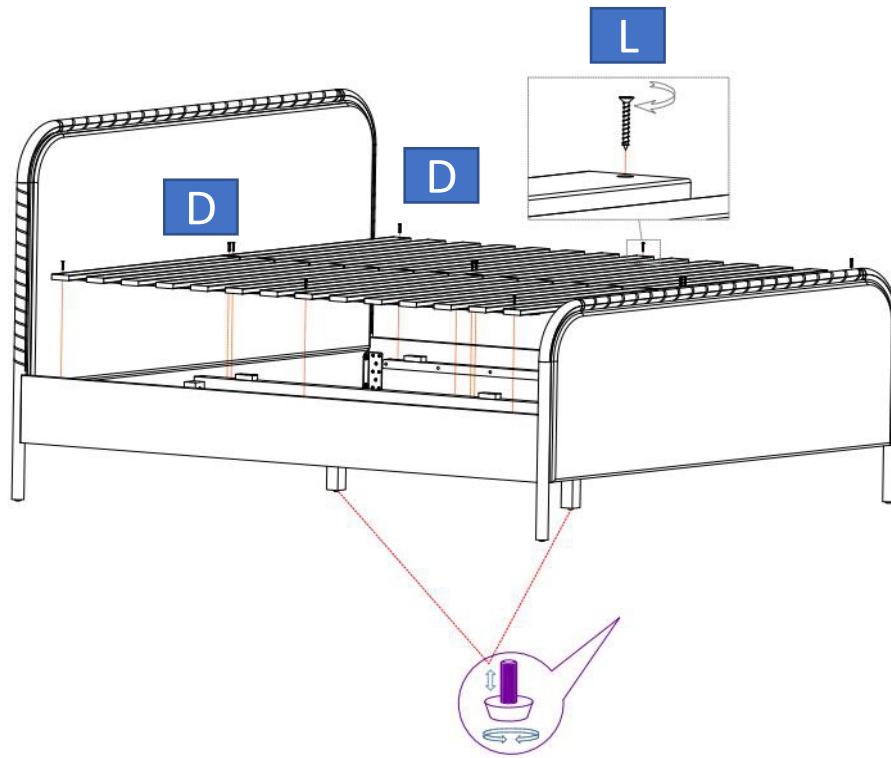
**STEP 6**

1) Attach the center support bar (E) with hardware (H) by Allen Key.



STEP 7

1) Put on the bed slats (D) and secure with hardware (L).



Adjust levelers on
floating center legs to
allow for a 2-3mm clearance

CARE & MAINTENANCE



Do not put hot items directly on furniture surface.



Do not clean furniture with harsh cleansers or polish.



Dust and pick up spills using a clean, non-colored, lint-free cloth.



Stains may be removed with mild soap solution and a damp cloth.



Do not place furniture under direct sunlight.



Do not place furniture near heating or cooling vents.



Do not write on furniture without a padded barrier to protect the surface.